

ROCKVILLE

RSM Series

RSM12A, RSM15A/RSM12P, RSM15P

12" and 15" ACTIVE/PASSIVE

PROFESSIONAL STAGE MONITORS

OWNER'S MANUAL

ATTENTION:

WATCH THIS VIDEO BEFORE FIRST USE!

Who reads manuals?

Scan the **QR codes** or go to the **URLs** below to access how-to video(s), the owner's manual, and other important information you may need to get the most out of your item.

If you prefer written instructions, please read ahead!

With Rockville you get many options.



rockvillesupport.com/rsm12a



rockvillesupport.com/rsm12p



rockvillesupport.com/rsm15a



rockvillesupport.com/rsm15p

Missing items? If you ordered a bundle that includes more than one product and you are missing part of your bundle then it just means your order shipped from two different warehouses. You will receive the remaining items very soon. If you have any concerns or inquiries, feel free to call our customer support center at 1-646-758-0144, 24hours a day/5 days a week. We are closed from Friday 5:00pm to Sunday 9:00am EST.

Thank you for purchasing this Rockville RSM series pro stage monitor. Please read this installation guide carefully for proper use of your RSM series pro stage monitor. Should you need assistance, please call our technical help line at 1-646-758-0144, 24 hours a day/5 days a week. We are closed from Friday 5:00pm to Sunday 9:00am EST.

IMPORTANT SAFETY INSTRUCTIONS

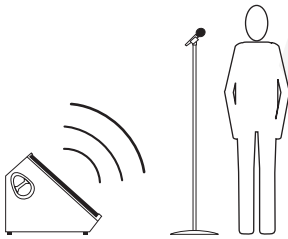


- To reduce risk of electric shock, never open the unit. There are no serviceable parts; refer service to the Rockville service center.
- Do not expose this unit to any kind of moisture.
- Please ensure that the unit is situated in a properly ventilated area.
- Make sure the unit is placed on a level and stable surface.

Stage Monitor Setup

Unlike a PA setup which faces the crowd, stage monitors are set up to face the performers on stage and to direct the sound towards them. This presents a particular problem as now feed back may occur. To avoid stage monitor feedback the following precautions should be taken.

1. Choose a microphone with high directivity, i.e. cardioid or hyper-cardioid polar pattern.
2. Never point the microphone directly down in front of the speaker. Holding the microphone in normal position will allow you to be closer to the stage monitor with out feed back.
3. See illustration below as to position of microphones when mounted in stand. Cardioid polar patter microphones should always be at a 90 degree angle to the axis of the stage monitor. Hyper Cardioid polar pattern microphones should be positioned at an acute angle to the sage monitor.



Cardioid Polar Pattern



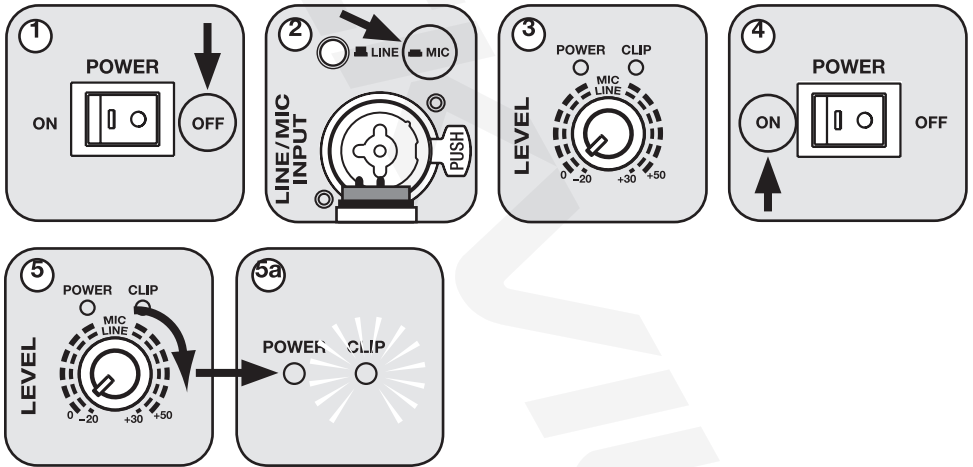
Hyper Cardioid Polar Pattern

RSM-12A / RSM-15A APPLICATIONS

Microphone Input

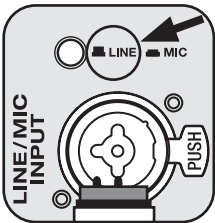
The RSM series 12" and 15" active units feature a balanced microphone input accessible via combo XLR / TRS input.

1. Make sure the RSM stage monitor is switched off.
2. Plug in your microphone. Make sure the Line / Mic selector is set to Mic (pushed in).
3. Turn Level control to 0 position.
4. Switch on the RSM unit.
5. Slowly turn Level control in clockwise rotation until you achieve appropriate level setting.
5a. This is determined by the CLIP LED indicator light. Proper function is achieved when the CLIP indicator lights up at peak levels, it should never be in constant on position.



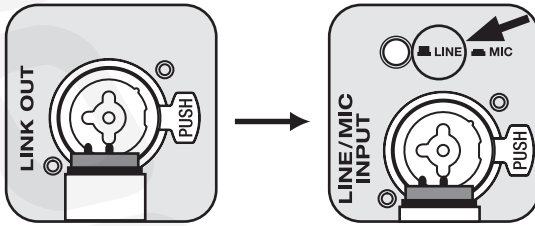
Line Input

For line input, use the same procedure as above. When you plug in your instrument or secondary RSM-12A/RSM-15A, make sure the Line / Mic selector is set to Line.



Line Out Balanced Connection

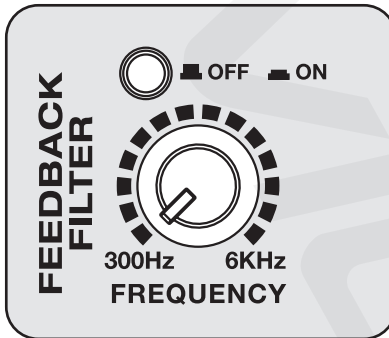
The combo XLR / 1/4" TRS jack marked Link Out allows for daisy chaining of signals from one RSM-12A / RSM-15A unit to another. Simply attach an XLR to same or 1/4" to same cable between the two units to share signals. The input into RSM unit #2 should go to the Line / Mic input. Make sure the Line / Mic selector is set to Line (button extended).



Feedback Filter

Crystal Clear Sound Without Feedback, guaranteed.

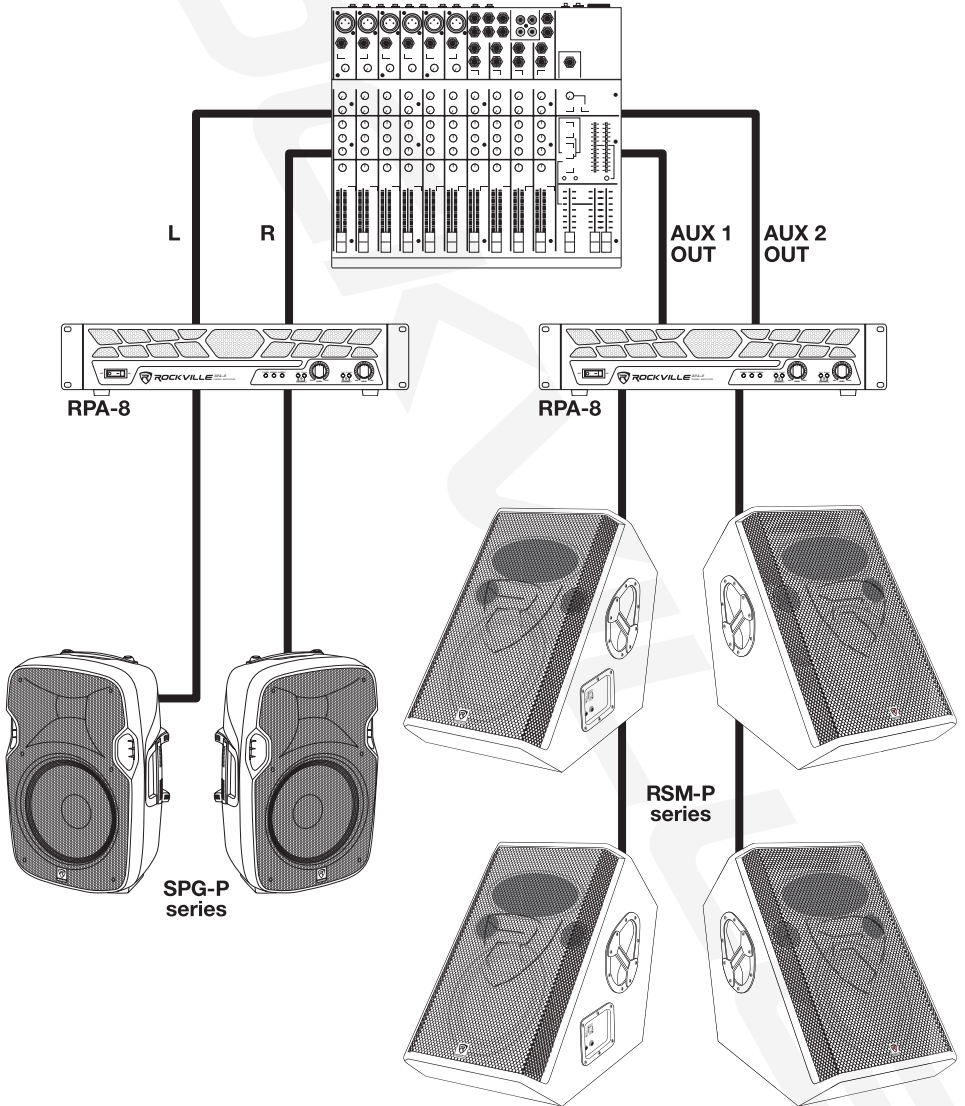
The built-in Feedback Filter in the Rockville RSM-12A / RSM-15A will equalize your stage monitor and assure that feedback frequencies are attenuated. Simply turn on the filter by pushing in the button and activating the circuit, dial in the feedback frequency and the feedback frequencies will be attenuated, leaving your music powerful and live, and allowing you to increase your system volume by almost 9 dB - the equivalent of 800 percent more power!



SETUP

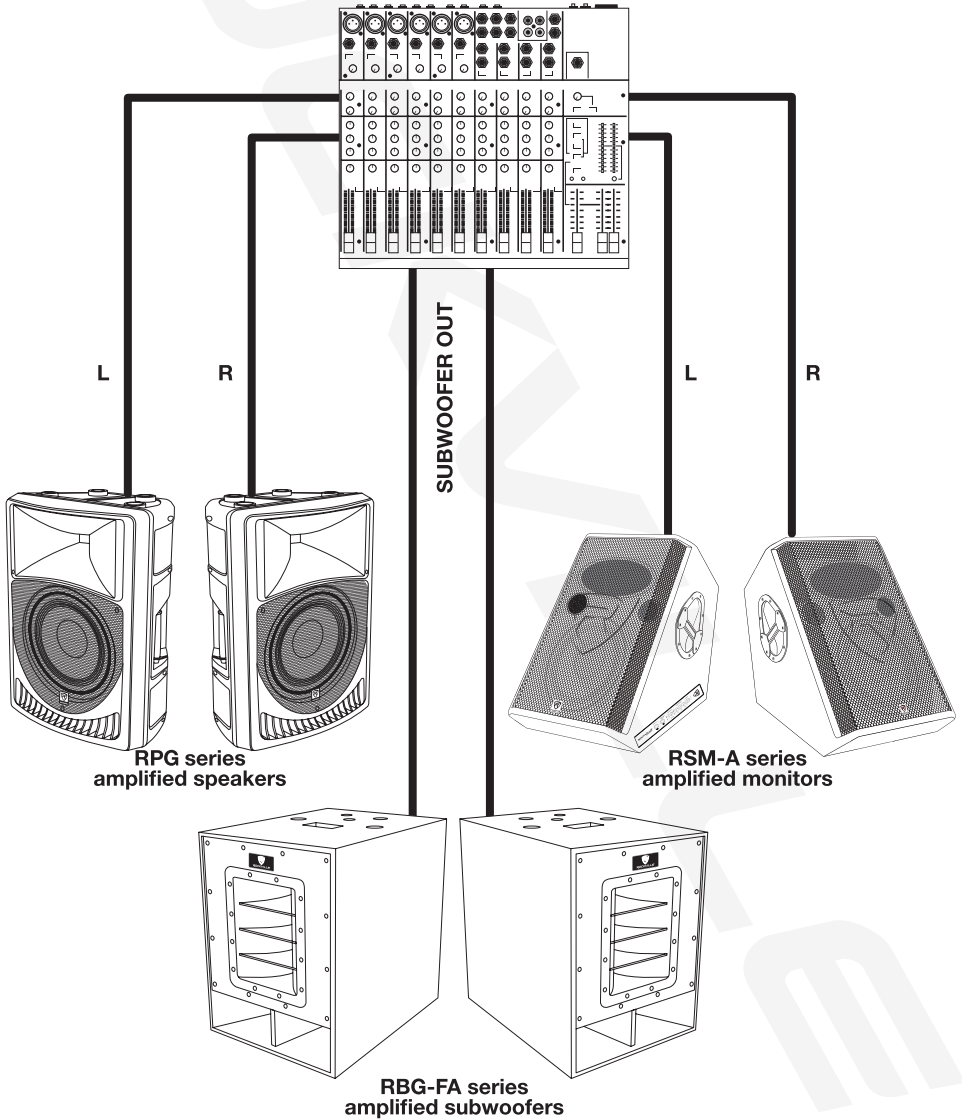
Full Range Stereo

This is a full range stereo set up using two Rockville SPG series passive two-way loudspeakers and four RSM series passive two-way stage monitors. The two SPG series passive loudspeakers are connected to a Rockville RPA-8 stereo power amplifier which is then connected to a mixing console. The four RSM series passive stage monitors are wired in parallel and then connected to a second RPA-8 stereo power amplifier which is connected to the Auxilliary outputs of the mixing console.



Full Range Stereo + Active Subwoofer

This is a full range stereo set up using two Rockville RPG active two-way loudspeakers, two RBG-FA active folded horn subwoofers, and two RSM-A series active two-way stage monitors. The RPG series active loudspeakers as well as the RSM-A series active stage monitors are hooked in directly to the mixing consoles left and right channel outputs. The RBG-FA series folded horn subwoofer is hooked up to the mixing consoles subwoofer outputs.



THINGS TO CONSIDER

Speaker Cables

The length and diameter of your speaker cable can affect the quality of the sound produced by the speakers. Simply turning up the volume to compensate for poor sound quality can cause speaker damage. Therefore we suggest using 14 - 12 gauge cables no longer than 45ft. Head over to Rockvilleaudio.com and check out our selection of high quality audio interconnects and speaker cables.

Power Amp Rating (RSM-12P / RSM-15P)

One important factor in setting up a pro sound system is choosing the right amplifier. The general rule is that the power rating of your amp should be twice the speaker load capacity. For example, a speaker rated at 300 watts RMS can easily be powered by an amplifier rated at 600 watts output power. We recommend using the Rockville RPA series of pro audio amplifiers. Check them out at Rockvilleaudio.com.

Fuses

Though it may seem like a good idea to use fuses for the speaker set ups featured in this manual, we recommend you dont and here's why. High peak signals and high output power are the two main causes of damage to speakers. Fuses can only offer protection from one of these two factor and not both. Also keep in mind that fuse resistances are sometimes non-linear which can cause distortion and overdriving.

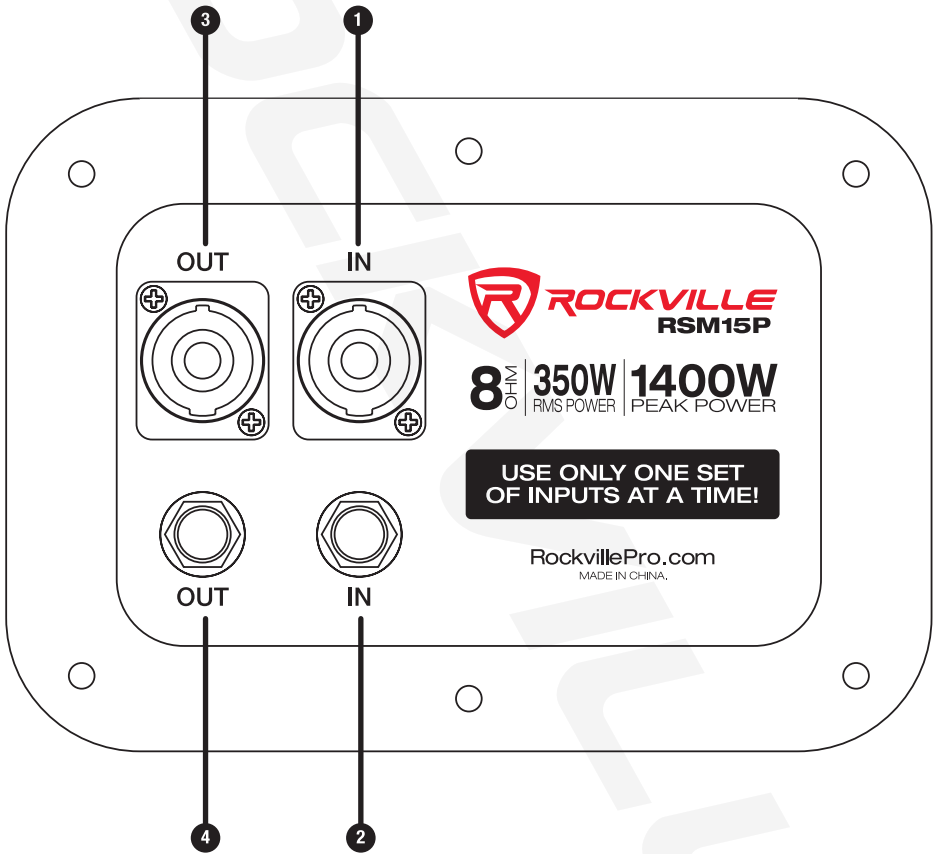
Protecting your Equipment

1. Avoid overdriving your amplifier by finding the optimal signal level.
2. We recommend using a limiter to restrict the output signal level.
2. Be mindful of the physical limitations of your system.

FUNCTIONS

RSM-12P / RSM-15P

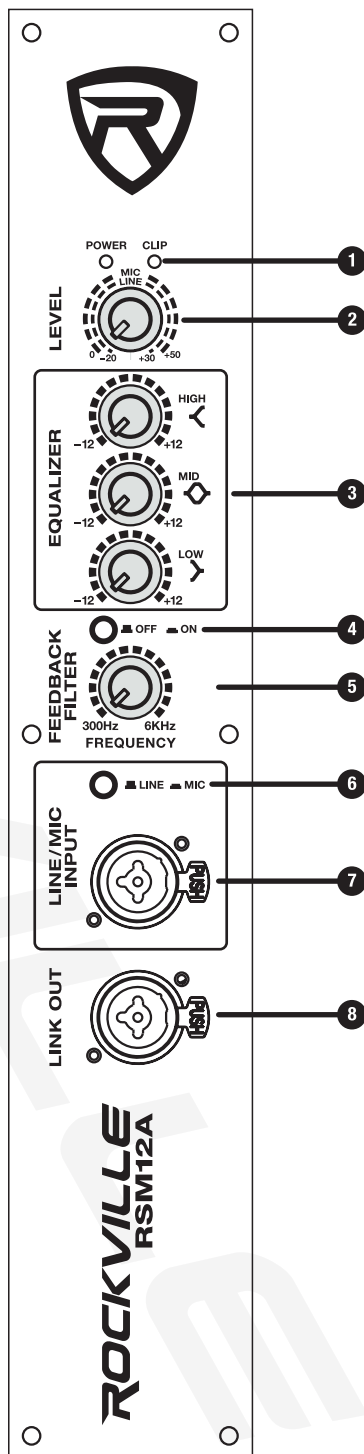
1. 1 x Speakon input connector
2. 1 x 1/4" TRS input connector
3. 1 x Speakon thru connector
4. 1 x 1/4" TRS thru connector



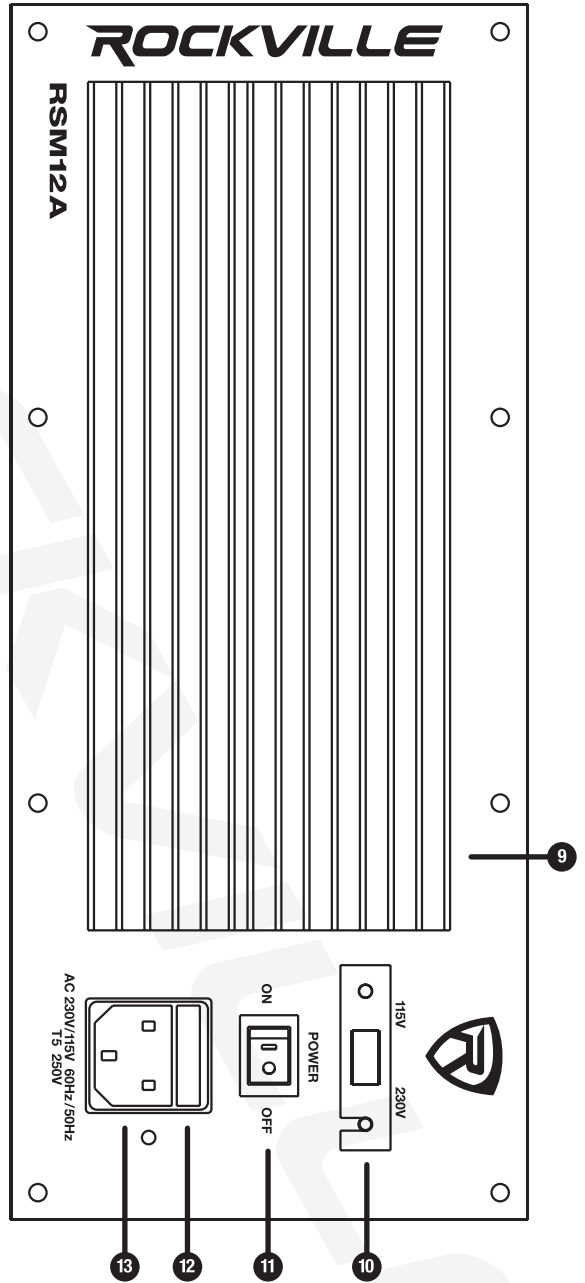
FUNCTIONS (continued)

RSM-12A / RSM-15A

1. Amplifier Power LED indicator and Clip Limit LED indicator
2. Level (volume) control dial
3. Equalizer
4. Feedback Filter on / off button
5. Feedback Filter control dial
6. Line / Mic input selector button
7. Balanced combo XLR / 1/4" TRS jack microphone / line input
8. Balanced combo XLR / 1/4" TRS Link Out
7. RCA / XLR balanced line input
8. Bass control



- 9. Heatsink
- 10. Voltage selector switch
- 11. Power switch
- 12. Fuse compartment
- 13. IEC AC power socket



FEATURES

- Two-way pro wedge style stage monitor with titanium compression driver.
- Compact and light weight system delivers distortion free sound even at extreme SPL
- State-of-the-art pure titanium-diaphragm compression driver for crystal clear high frequency reproduction
- Wide dispersion, large-format elliptical wave guide horn housing
- Wedge style enclosure design
- Ergonomically shaped handle for easy carrying and setup
- High-quality components and exceptionally rugged construction
- Aviation grade black carpet

RSM-12A / RSM-15A Only

- Linear Class AB amplifier technology: high power, transparent sonic performance
- Internal switch-mode power supply for low distortion audio with superior transient response
- Built-in equalizer for ultimate system control and speaker protection
- Amplifier clip limit LED indicator & power LED
- Ultra-low noise Mic / Line input via combo XLR & 1/4" TRS jack
- Balanced line output via combo XLR & 1/4" TRS jack for linking of additional speaker systems
- 115 / 230 Volt switchable power supply with external user serviceable fusing

RSM-12P / RSM-15P Only

- 1 x 1/4" TRS jack and 1 x Speakon input connectors
- 1 x 1/4" TRS jack and 1 x Speakon thru connectors

TROUBLE SHOOTING

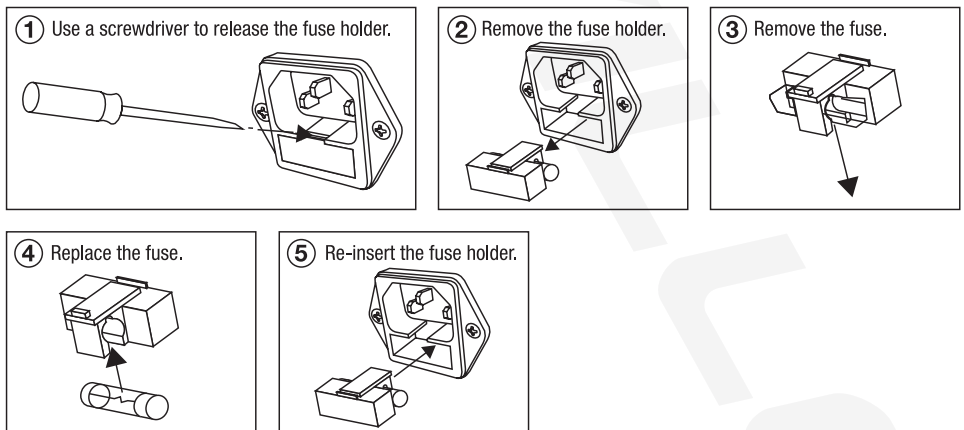
UNIT FAILS TO POWER UP (RSM-12A / RSM-15A).

1. Make sure unit is plugged in properly to wall outlet.
2. Check that power cable is plugged in tightly to unit.
3. If people or equipment tend to step and roll over or stretch your power cable it can get damaged. Always try a second cable to test for shorts in original cable. Dispose of original damaged power cables immediately.
4. If system still fails to power up, **UNPLUG FROM WALL**. There is a small door above the plug input on the RSM unit's power plate. Pop off this door and remove the fuse and replace with same rated fuse (see diagram below). Please make sure unit is unplugged from wall before attempting to change the fuse!

UNIT TURNS ON, BUT NO SOUND.

1. Check that Line / Mic Level is turned up.
2. Be sure your microphone is turned on.
3. All appropriate cables should be plugged in correctly.
4. If using a mixing console make sure fader and balance are set to center positions and level increased.
5. Be sure Volume and Gain of appropriate channels are set above 0 level and matched correctly as indicated above.

Fuse replacement Diagram



FEDERAL COMMUNICATIONS COMMISSION COMPLIANCE INFORMATION

Responsible party name: Rockville

Address: 600 Bayview Ave.
Entrance A
Inwood, NY 11096

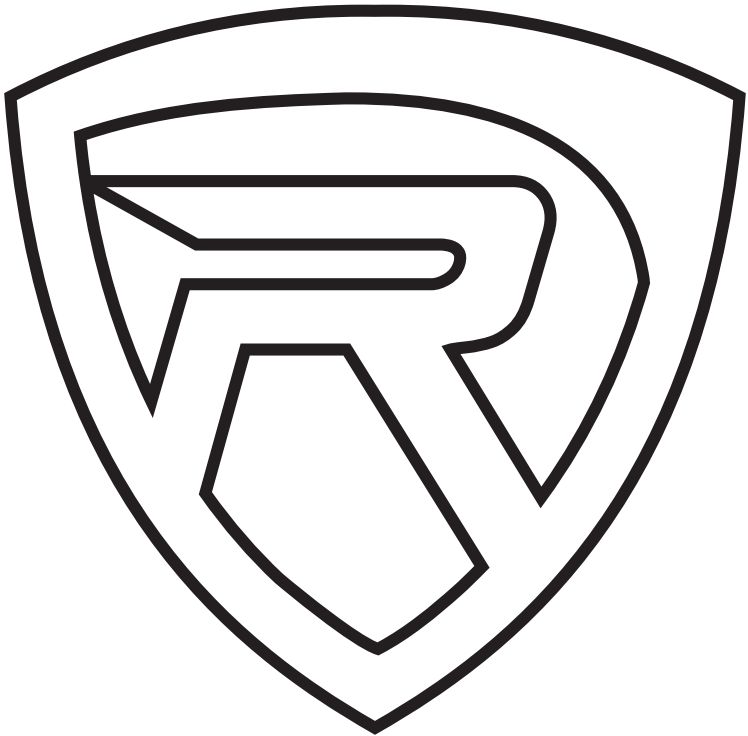
Hereby declares that the product(s) RSM series pro stage monitor complies with FCC rules as mentioned in the following paragraph:

This device complies with Part 15 of the FCC rules. Operation is subject to the following two conditions: (1) this device may not cause harmful interference, and (2) this device must accept any interference received, including interference that may cause undesired operation.

Note: This equipment has been tested and found to comply with the limits for a Class B digital device, pursuant to Part 15 of the FCC rules. These limits are designed to provide reasonable protection against harmful interference in a residential installation. This equipment generates, uses and can radiate radio frequency energy and, if not installed and used in accordance with the instructions, may cause harmful interference to radio communications. However, there is no guarantee that interference will not occur in a particular installation. If this equipment does cause harmful interference to radio or television reception, which can be determined by turning the equipment off and on, the user is encouraged to try to correct the interference by one or more of the following measures:

- Reorient or relocate the receiving antenna.
- Increase the separation between the equipment and receiver.
- Connect the equipment to an outlet on a circuit different from that to which the receiver is connected.
- Consult the dealer or an experienced radio/TV technician for help.

Rockwell



RockvilleAudio.com

© 2022 ROCKVILLE // Features and specifications are subject to change and/or improvement without notice.