

ROCKVILLE

MOTIONSTRIP

MOTORIZED MOVING HEAD RGBW COLOR
STRIP WASH/BEAM LIGHT BAR

OWNER'S MANUAL

ATTENTION:
WATCH THIS VIDEO BEFORE FIRST USE!

Who reads manuals?

Scan the **QR code** or go to rockvillesupport.com/motionstrip to access how-to video(s), the owner's manual, and other important information you may need to get the most out of your item.

If you prefer written instructions, please read ahead!

With Rockville you get many options.



Missing items? If you ordered a bundle that includes more than one product and you are missing part of your bundle then it just means your order shipped from two different warehouses. You will receive the remaining items very soon. If you have any concerns or inquiries, feel free to call our customer support center at 1-646-758-0144, 24 hours a day/7 days a week.

Thank you for purchasing the Rockville MOTIONSTRIP Motorized Moving Head RGBW Color Strip Wash/Beam Light Bar. Please read the owner's manual carefully for proper use of your Rockville MOTIONSTRIP. Should you need technical assistance please call our technical help line at 1-646-758-0144, 24 hours a day/7 days a week.

Includes

- MOTIONSTRIP light
- Bracket
- Power cable (5 feet)
- User manual
- Warranty card

IMPORTANT SAFETY INSTRUCTIONS



- To reduce risk of electric shock, never open the unit. There are no user serviceable parts, refer service to the Rockville service center.
- Avoid looking directly into the lights.
- Do not expose this unit to any kind of moisture.
- The products housing may become hot during operation. Do not touch.
- Please ensure that the unit is situated in a properly ventilated area. Allow at least 20 inches between this device and a wall.
- Do not attempt to operate this unit if the power cord has been frayed or broken.
- Do not attempt to break off or remove the ground prong. This prong is used to reduce the risk of electrical shock and fire in case of an internal short.
- Never plug this unit into a dimmer pack.
- Do not operate this unit if it is damaged.
- This unit is intended for indoor use only.
- During long periods of non-use, disconnect the unit from power source.
- Always mount this unit in a safe and stable matter.
- Power supply cords should be routed so that they are not likely to be walked on or pinched by items placed upon or against them, paying particular attention to the point of exit from the unit.
- To avoid unnecessary wear and to improve the unit's lifespan, unplug the unit when not in use for extended periods of time.
- When choosing a location for your device, make sure to avoid impact, vibration, dust, hot and cold temperatures and dampness. Furthermore, no powerful transformers or motors must be used close to the device.
- The effect light must only be operated at a maximum ambient temperature of 104° Fahrenheit (40 °C).
- Never cover the device. Make sure when mounting with other equipment that there is sufficient ventilation. Maintain a sufficient distance to other devices and walls. Never install the effect light in direct proximity of heat sources. Do not point any strong spot lights or light sources towards the device. This may cause overheating (danger of fire!).
- Do not drill or screw additional screws into the casing in order to fasten the device.
- The device must be mounted out of normal reach.
- Illuminated objects must be at least 0.5 m away from the device's light emission source. Easily flammable materials such as decorative fabrics must also have a distance of at least 0.5 m to the device. Otherwise, such objects may catch fire!

- When mounting the product, make sure that the power cord is neither jammed nor damaged by sharp edges.
- During installation or service work, the area below the place of installation must be cordoned off.
- The installation surface or mounting fixture needs to be designed in a way that it can take 10 times its load capacity for at least 1 hour without permanent damaging deformation.
- It is also essential that the device is secured by means of a second safety restraint that is independent of the actual mounting supports when installing it in an elevated position. No part of the installation must fall down if the main suspension system fails.
- Observe all relevant regulations of your country when installing the device.
- Please keep the lenses out of direct sunlight as it can cause heat build up which will cause serious damage to the unit.

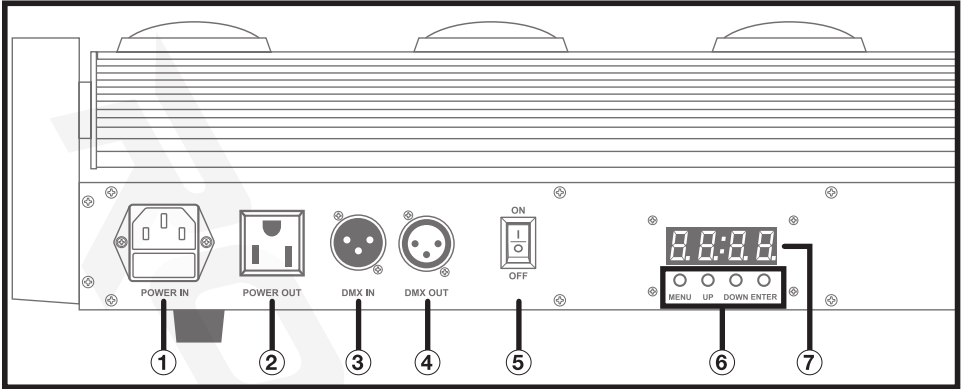


ATTENTION

If using a 220V/50Hz power supply, do not connect more than 10 units in series. Be sure to use a separate power supply for any additional units.

If using a 110/60Hz power supply, do not connect more than 6 units in series. Be sure to use a separate power supply for any additional units.

Functions

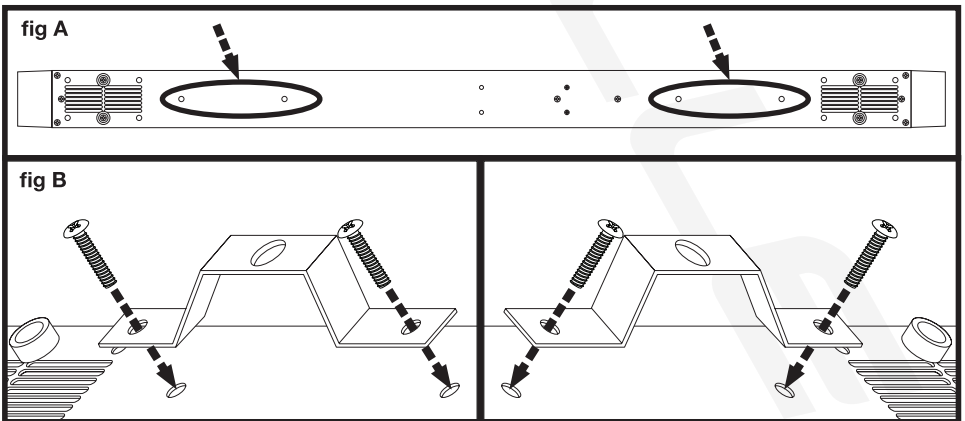


1. Power in socket w/user serviceable fuse
2. Power out
3. DMX in
4. DMX out
5. Power switch
6. Controls: Menu - Press repeatedly to see mode options
Up - Scroll up through settings
Down - Scroll down through settings
Enter - Press to confirm and save current selection. The unit will remember these settings the next time it is powered on.
7. Digital display

Installation

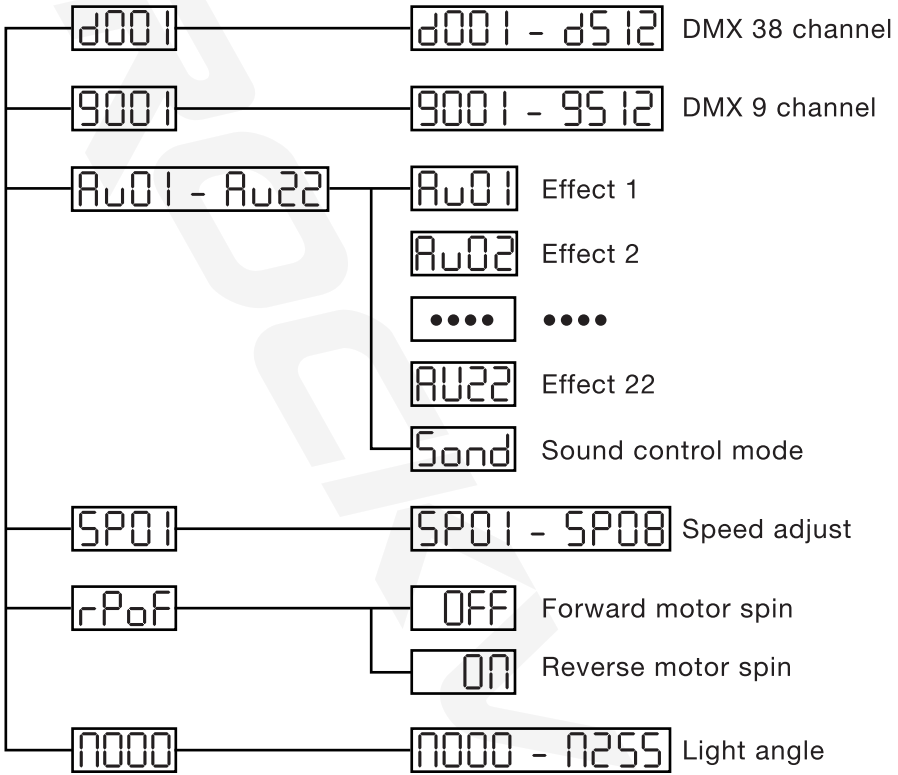
The Rockville MOTIONSTRIP features rubber feet for easy floor installation.

To hang the fixture from a truss, use the included mounting clamps. There are mounting holes located on the bottom of the fixture (fig A). Secure the mounting clamps to the unit as shown in figure B.



Operation

Use the MENU button to enter the settings menu. Use the UP and DOWN buttons to select the desired setting and set their values. Press ENTER button to save your selection. The unit will remember your selection the next time you turn it on.



Please note: In Primary mode, N000 is the setting for built-in motor programs (Au modes and sound modes).

Operating Modes

DMX Mode

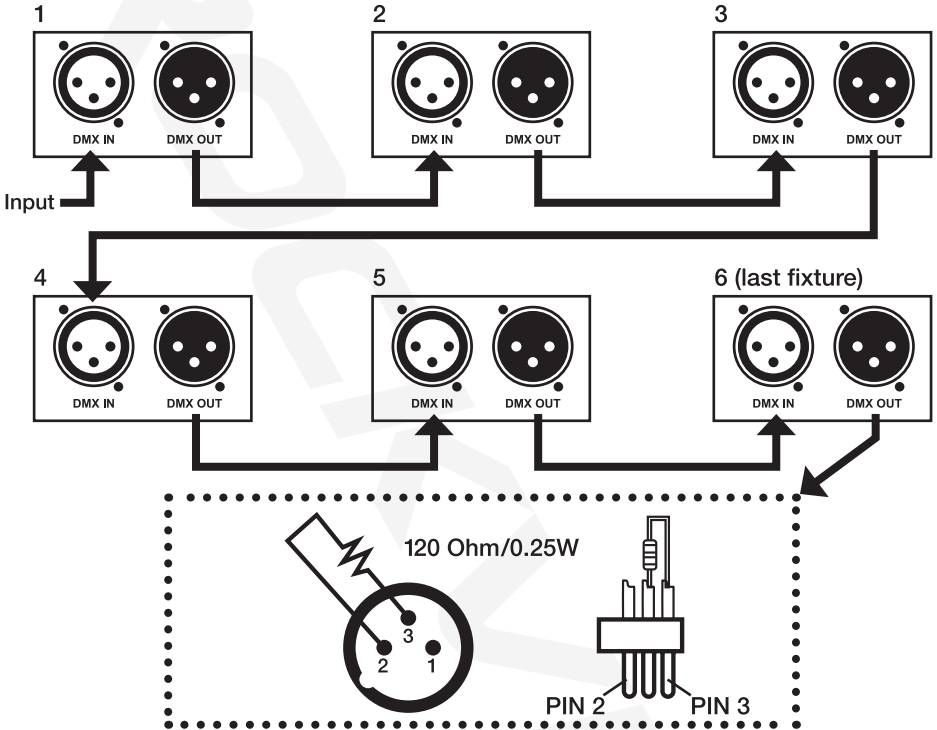
The MOTIONSTRIP can be controlled via any DMX controller. Simply link the fixture to your DMX controller, program a chase, and then run the chase. You can also daisy chain multiple units. When you run a chase, the units need to be set to the appropriate DMX channel, d001 or 9001. The fixture uses 2 channels.

Master/Slave Mode

Use DMX cables to daisy chain up to 10 fixtures. Set the first one to AU mode or Sond mode. This will be the primary fixture. Set the others to d001 or 9001. These will be the secondary fixtures. Now the primary will control all the secondaries.

DMX Termination (Optional)

The last fixture of a DMX chain has to be “terminated”. This prevents electrical noise from disturbing and corrupting the DMX control signals. To terminate the last fixture solder a 0.25 Watt, 120 Ohm resistor across the DATA - and DATA + wires. The connections are illustrated below. If you are only connecting a few fixtures which are close together and use a short run to the controller, you may be able to operate without a terminator.



DMX Controller Function

When using a DMX controller, use the chart below to reference each channel's function.

9 Channel Mode

Ch.	Function	Value	Description
1	Pan	0 – 255	Adjust pan settings
2	Pan Speed	0 – 255	Adjust pan speed
3	Built-in Program Effect	0 – 255	Adjust built-in program effects settings
4	Built-in Program Speed	0 – 255	Adjust built-in program speed
5	Master Dimmer	0 – 255	Adjust all LED's brightness
6	Red Dimmer	0 – 255	Adjust individual LED's brightness
7	Green Dimmer	0 – 255	
8	Blue Dimmer	0 – 255	
9	White Dimmer	0 – 255	

38 Channel Mode

Ch.	Function	Value	Description
1	Pan	0 – 255	Adjust forward and rear pan
2	Pan Speed	0 – 255	Adjust pan speed
3	Ch5 – Ch38	0 – 10	Adjust settings for built-in programs
	Built-in 1	11 – 20	
	Built-in 2	21 – 31	
	Built-in 3	32 – 42	
	Built-in 4	45 – 53	
	Built-in 5	54 – 64	
	Built-in 6	65 – 75	
	Built-in 7	76 – 86	
	Built-in 8	87 – 97	
	Built-in 9	98 – 108	
	Built-in 10	109 – 119	
	Built-in 11	120 – 130	
	Built-in 12	131 – 141	
	Built-in 13	142 – 152	
	Built-in 14	153 – 163	
	Built-in 15	164 – 174	
	Built-in 16	175 – 185	
	Built-in 17	186 – 196	
	Built-in 18	197 – 207	
	Built-in 19	208 – 218	
	Built-in 20	219 – 229	
	Built-in 21	230 – 240	
Built-in 22	241 – 250		
	Sound	251 - 255	
4	Built-in Program Speed	0 – 255	Adjust built-in program speed
5	Master Dimmer	0 – 255	Adjust all LED's brightness
6	Strobe	0 – 5	Off
		6 – 255	Adjust strobe speed
7	BAR 1 Red Dimmer	0 – 255	Adjust BAR 1 individual LED's brightness
8	BAR 1 Green Dimmer	0 – 255	
9	BAR 1 Blue Dimmer	0 – 255	
10	BAR 1 White Dimmer	0 – 255	
11	BAR 2 Red Dimmer	0 – 255	Adjust BAR 2 individual LED's brightness
12	BAR 2 Green Dimmer	0 – 255	

38 Channel Mode (continued)

Ch.	Function	Value	Description
13	BAR 2 Blue Dimmer	0 – 255	Adjust BAR 2 individual LED brightness
14	BAR 2 White Dimmer	0 – 255	
••••	••••	••••	
35	BAR 8 Red Dimmer	0 – 255	Adjust BAR 8 individual LED brightness
36	BAR 8 Green Dimmer	0 – 255	
37	BAR 8 Blue Dimmer	0 – 255	
38	BAR 8 White Dimmer	0 – 255	

Features and Specifications

- Multi-purpose - Can be used as a beam, wash, dance floor, stage light
- 16 Channel DMX-512 Controls
- This light rotates like a moving head allowing you to use this for many applications like stages, wash lighting, dance floor lights, and more
- Much wider coverage area compared with standard moving head lights
- The light is made of metal so its extremely strong and durable (the top part that moves is aluminum and the bottom part is steel)
- Automatic modes: color change, strobe, dimmer, gradual color change, jump change, sound activated
- Each LED is Red, green, blue and white (4 in 1 LEDs)
- 8 True 10 watt LEDs
- These lights are extremely bright and throw across long distances without any dullness
- Static colors and RGBW color mixing with a DMX controller
- Built-in automated programs
- Sound activated mode
- Master/slave controls allow you to link multiple lights together to clone the same program
- 3-Pin DMX input and DMX output for easy linking
- Additional power output to link multiple lights together easily (up to 6 @ 110V, up to 10 @ 220V)
- High speed color changer 1 – 13Hz (one of the fastest speeds on the market)
- Bulb Life: 100,000 hours life
- Dimmer: 0 – 100%
- Strobe with adjustable speed
- Lights can operate safely without overheating for months straight!
- Can be operated in sound activated mode, automated program mode, using the or using a DMX controller
- Built-in display to browse menu options
- Lux: 1,452 @ 1m
- LED angle: 5-degree beam angle and 270 degrees of motorized rotation
- 110/220 volt switchable (110 – 220V/AC 50 – 60Hz)
- Fuse: 2A (Max power: 50VA)
- Weight: 12.79 Lbs
- Dimensions: 41.93" x 3.35" x 6.1"

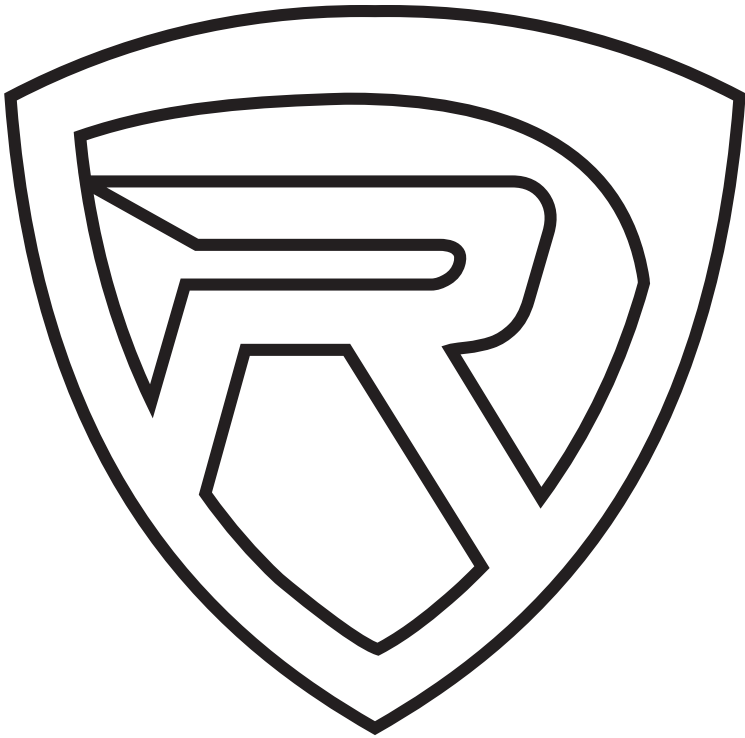
Troubleshooting

PROBLEM	SOLUTION
No power	<ol style="list-style-type: none">1. Make sure the unit is plugged in and that the power switch is in the on position.2. Make sure the power cord is not damaged.3. Check and replace the fuse if necessary.
No fixture DMX response	<ol style="list-style-type: none">1. Make sure that the starting address at the fixture is correct and all other fixtures are set to the same address.2. Make sure the DMX channel setting is the same for all fixtures.3. Make sure you are using the correct faders on the controller.4. Make sure you are using the correct fixture template and assign controller faders accordingly.5. Change the signal polarity at the controller.6. Check your DMX cables to ensure they are not damaged.7. Check that the DMX cables are connected properly and are wired correctly (pin 3 is “hot”; on some other DMX devices pin 2 may be ‘hot’). Also, check that all cables are connected to the right connectors; it does matter which way the inputs and outputs are connected.
Unit does not respond to sound	<ol style="list-style-type: none">1. Quiet or high pitched sounds will not activate the unit.2. Make sure that Sound Activate mode is turned on.

ROCKWELL

שירותי מרכז
רוקט

ROCKVILLE



RockvilleAudio.com