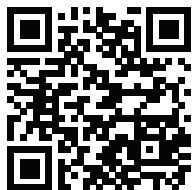




ROCKVILLE

Blu Amp 150 **HOME STEREO BLUETOOTH AMPLIFIER** **OWNER'S MANUAL**

ATTENTION:
WATCH THIS VIDEO BEFORE FIRST USE!



Who reads manuals?

Scan the **QR code** or go to **rockvillesupport.com/bluamp-150** to access how-to video(s), the owner's manual, and other important information you may need to get the most out of your item.

If you prefer written instructions, please read ahead!

With Rockville you get many options.

Missing items? If you ordered a bundle that includes more than one product and you are missing part of your bundle, then it just means your order shipped from two different warehouses. You will receive the remaining items very soon. If you have any concerns or inquiries, feel free to call our customer support center at 1-646-758-0144, 24 hours a day/5 days a week. We are closed from Friday 5:00pm to Sunday 9:00am EST.

ROCKWELL

Thank you for purchasing this BluAmp 150 home stereo Bluetooth amplifier.

Huge Power!

The BluAmp 150 has 75 x 2 watts RMS @ 4 ohms which is an incredible amount of power for an amp of this size. The big amount of power is great when you want to have crystal clear sound even at high volume levels. At 95% volume this amp still delivers clean power with no clipping.

Expandable

For playback it has built in Bluetooth, USB, and SD options. The Bluetooth 5.0 chipset has a long range and works perfectly. The input section has RCA aux, Optical, Phono, and Coaxial. Whether you want to connect your MP3 player, television, computer, or even your turntable we got you covered! We also have one set of RCA outputs allowing you to add more amplifiers, powered subs, or powered speakers to the system!

Great for Karaoke

There are 2 mic inputs along with echo control, and mic volume controls which makes this perfect for karaoke parties.

Full Function Remote

The remote control that is included will allow you to access all functions of the receiver quickly and efficiently.

Adjustable Equalizer Settings

The adjustable bass and treble controls will allow you to fine-tune your music to your taste.

Please read this guide carefully for proper use of your Rockville BluAmp 150. Should you need technical assistance, please call our technical help line at 1-646-758-0144, 24 hours a day/5 days a week. We are closed from Friday 5:00pm to Sunday 9:00am EST.

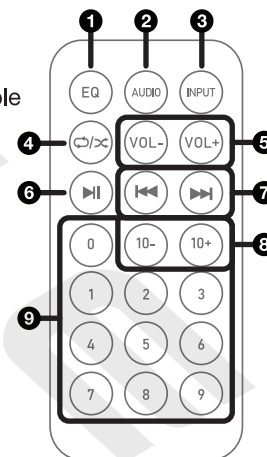
IMPORTANT SAFETY INSTRUCTIONS

- To reduce risk of shock, never open the unit. There are no user-serviceable parts. For service, return the unit to Rockville or take it to an authorized service center.
- Do not place this unit near heat sources, expose it to direct sunlight, or expose it to any kind of moisture.
- Do not place anything on top of the unit. Doing so will block vents and cause the unit to overheat.
- Please ensure that the unit is situated in a properly ventilated area.

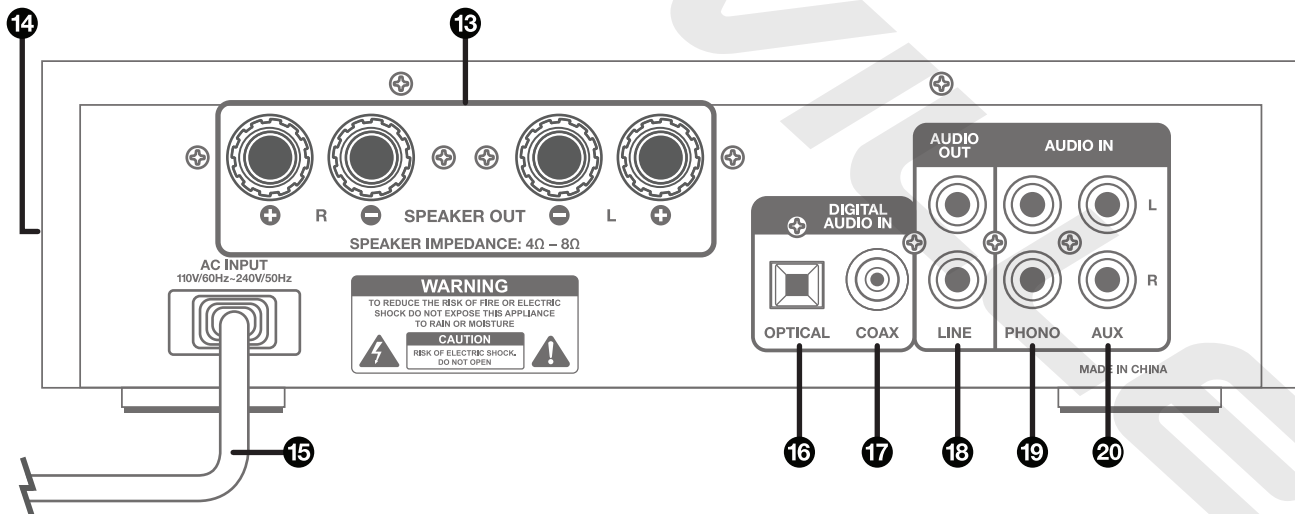
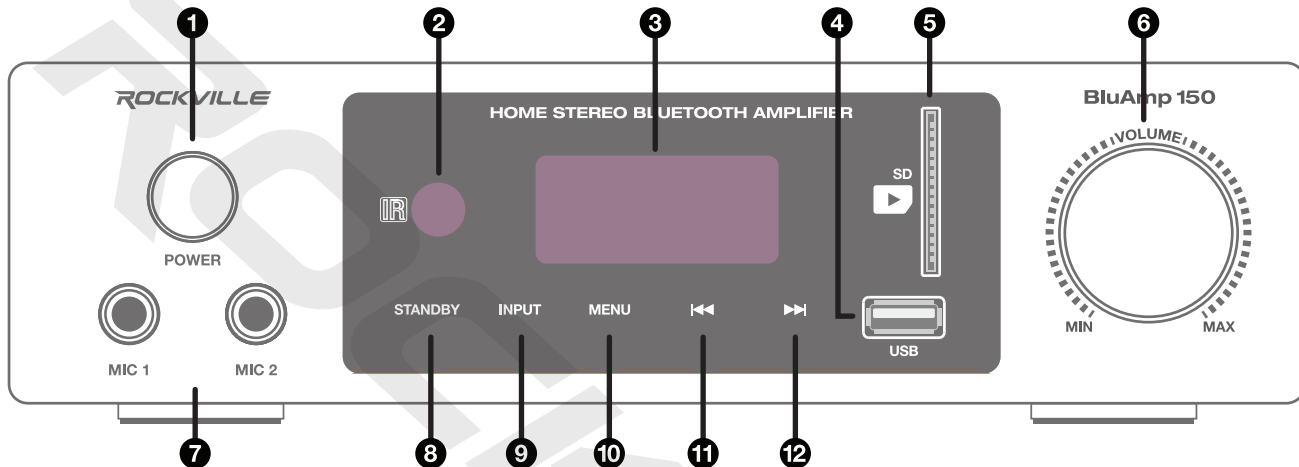
FUNCTIONS

Remote Control

1. EQ: Press to select one of five preset: rock/pop/classic/jazz/flat.
2. Audio: Press to enter the settings menu. Press the button repeatedly to cycle through all adjustable settings: Bass, Treble, Balance, Mic Vol, Echo, and Master Volume. Once you are on the desired setting, use the Vol- and Vol+ buttons to make adjustments.
3. Input: Press to switch input modes (Bluetooth, USB, SD, AUX, Phono, Coaxial, and Optical).
4. Repeat: Press to repeat current track, to repeat all tracks, or to play random tracks.
5. Vol-/Vol+: Press to increase or decrease volume.
6. Play/Pause: Press to start or pause audio playback.
7. ⏮/⏭: Press to skip tracks in USB/SD and Bluetooth modes.
8. 10-/10+: During USB or SD playback, use these buttons to skip back ten tracks (10-) or skip forward ten tracks (10+).
9. Number pad: Use to select tracks in USB/SD.



FUNCTIONS



FUNCTIONS

1. Power button
2. IR remote control sensor
3. LCD display
4. USB port
5. SD card slot
6. Multifunction volume knob: Use to adjust the overall volume. It can also be used to adjust the Blu Amp's settings (see item 10).
7. ¼" Mic inputs
8. Standby: Tap to enter standby mode, tap again to exit.
9. Input: Tap to switch input modes (Bluetooth, USB, SD, AUX, Phono, Coaxial, and Optical)
10. Menu: Tap to enter settings mode. Tap repeatedly to cycle through all adjustable settings (see below). Once you are on the desired setting, turn the volume knob to make adjustments. You can also access and make changes to the settings using the volume knob only (see page 8) or the remote control (see page 2).

11. ⏮: Return to previous track.
12. ⏭: Proceed to the next track.
13. L/R Binding post/Banana speaker outputs
14. Colling fan (located on the side of the unit)
15. Detachable power cable
16. Optical input
17. Coaxial input
18. L/R RCA Line output
19. L/R RCA Phono input (for record player)
20. L/R RCA Auxiliary input

Bass: Displays low frequency level



Treble: Displays low frequency level



Balance: Displays the balance setting



Mic Volume: Displays the mic input volume



Mic Echo: Displays the echo level



Master Volume: Displays the master volume level



BLUETOOTH

Pairing

1. Turn on the Bluetooth feature on your device and ensure that it is in discoverable mode.
2. Tap the Input key until you see the flashing Bluetooth icon (📶) on the display.
3. Once in Bluetooth mode, look for “BluAmp 150” on your device and select it.
4. If pairing is successful, the Bluetooth icon on the screen will stop flashing.

Please note that the unit will remember the last paired device. To unpair the unit, disconnect the BluAmp via your device. Upon disconnecting, the Bluetooth icon on the screen will begin to flash indicating that the unit is in pairing mode.

Playback

1. Play/Pause: Tap once to play current track; tap again to pause.
Previous/⏮ and Next/⏭ controls: Tap to return to previous track or proceed to the next track.
2. Playback functions may also be controlled from the remote control or your Bluetooth device.

USB/SD

1. Insert a USB drive or SD card into the corresponding port on the front panel. The unit will automatically begin to play music stored on the external device.

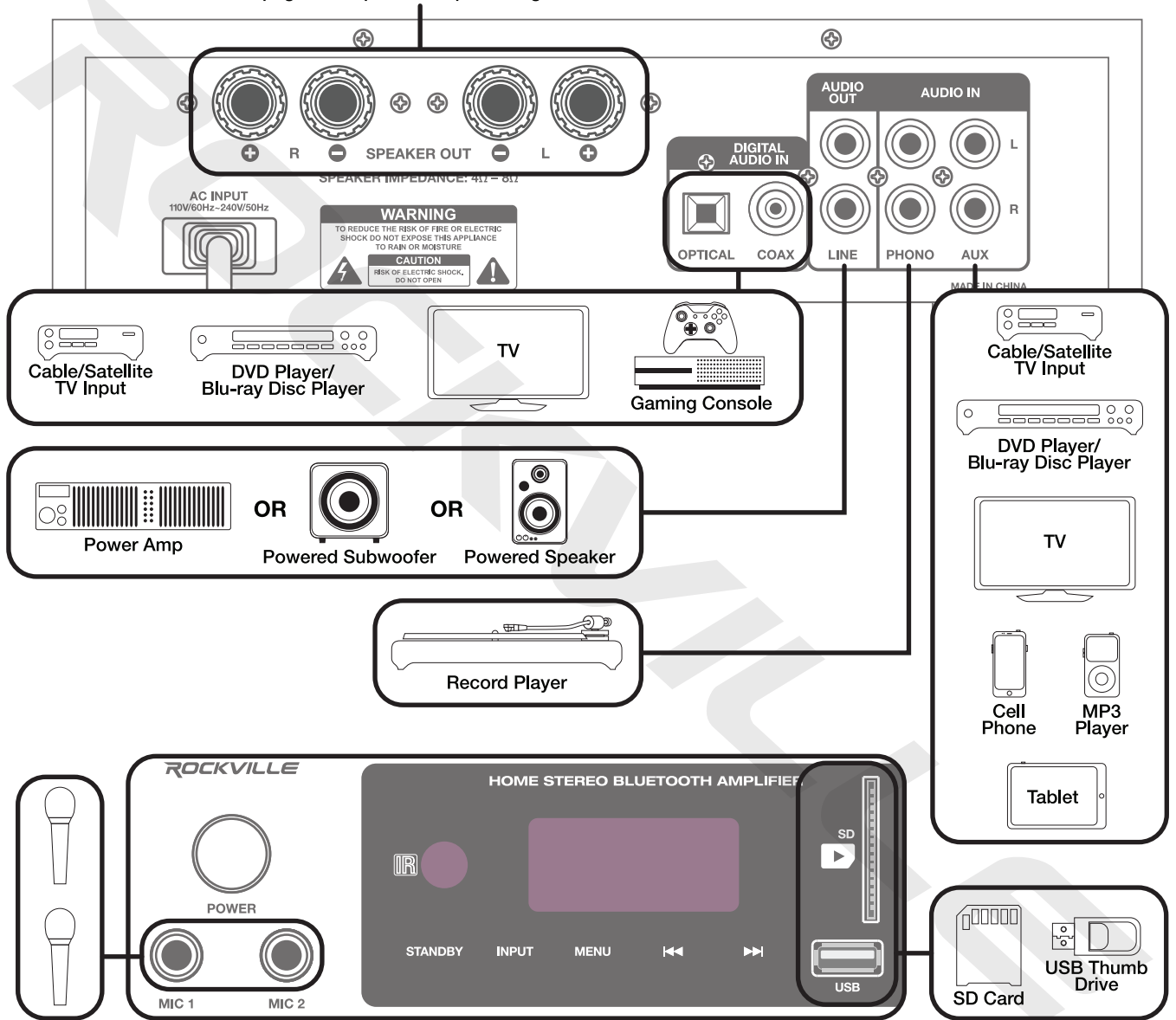
Playback (controlled from the unit or the remote control)

1. Play/Pause: Tap once to play current track; tap again to pause.
2. Previous/⏮ and Next/⏭ controls: Tap to return to previous track or proceed to the next track.

Please note, inserting a USB drive/SD card will override Bluetooth mode. Formatting the USB drive/SD card is not necessary, but if you do so, use the FAT32 format. Supported file formats: MP3, WMA, WAV.

SETUP

See page 7 for speaker output configurations.



CHOOSING COMPATIBLE SPEAKERS

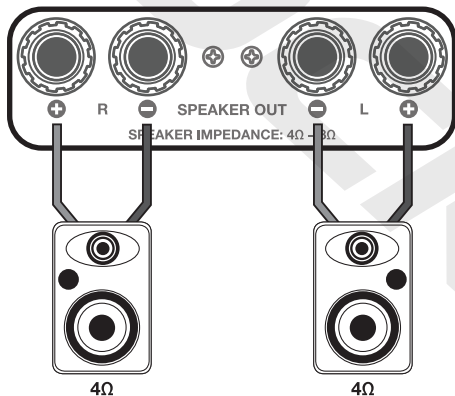
Speaker Types

Full-Range Speakers: These are speakers that can produce a full range of sound. They usually come in a 2-way configuration (woofer and tweeter) or a 3-way configuration (woofer, tweeter, and mid-range driver). They can vary in size from 6.5" to 15". The quantity and type will be determined by the size of the room and the specific requirements of your karaoke set-up.

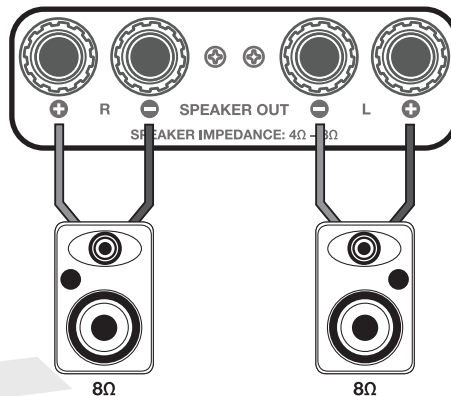
Matching Impedance: It's important that you match the impedance of your speakers to your amplifier. The BluAmp 150 has a minimum speaker impedance of 4 ohms; hence, the total impedance of your speakers **must not be less than 4 ohms**.

SPEAKER CONFIGURATIONS

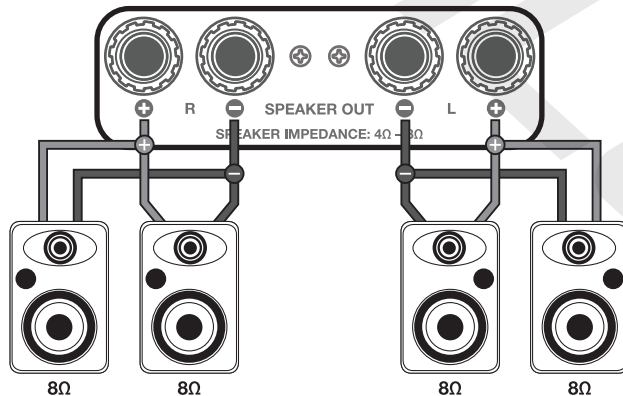
1. One 4-ohm speaker attached to each channel.



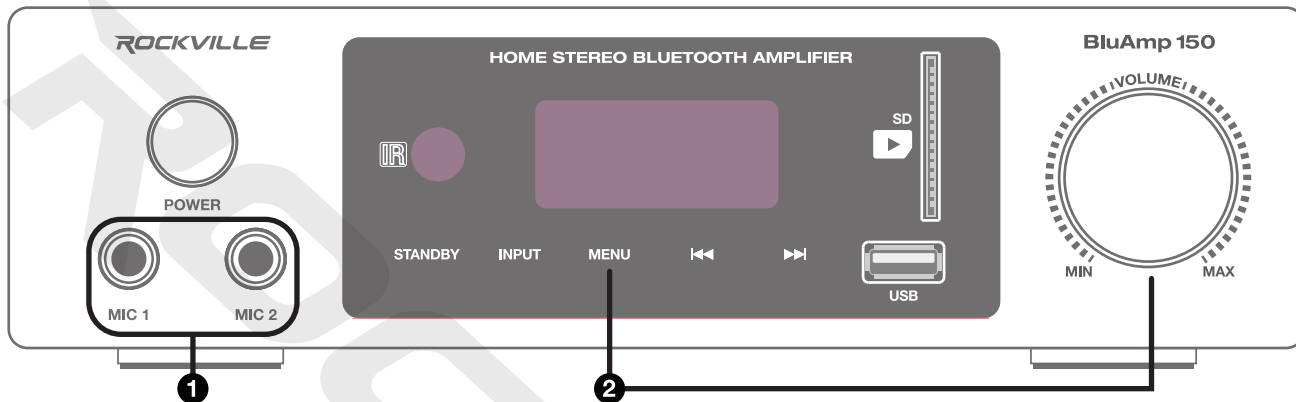
2. One 8-ohm speaker attached to each channel.



3. Two 8-ohm speakers, in parallel, attached to each channel.



MIC CONNECTIONS, ECHO, BALANCE, and EQ



1. Connect wired mics (not included) to either one of the 1/4" mic jacks.
2. a. Tap Menu on the touch panel or press the Volume knob to access the settings menu.
b. Tap Menu or press the Volume knob repeatedly to cycle through the settings until you reach the desired setting.
c. Turn the volume knob to make the necessary adjustments.
d. To exit the settings menu, wait five seconds and the unit will automatically exit.

Please note: Menu settings can also be adjusted using the remote (see page 2, item 2).

Mic Echo: The echo effect adds a series of repeated, decaying echoes to a sound: **E 00**

Mic Volume: Adjusts the output level of both microphone inputs: **n 00**

Bass/Treble: Adjust the bass and treble controls to affect the overall sound output: **b 00** / **t 00**

Balance: Adjust the side-to-side strength of the audio signal. Left: **bAL0** / Right: **bAR0**

USING YOUR BLUETOOTH-ENABLED DEVICE FOR KARAOKE

1. Decide which device you would like to use as your karaoke viewing screen (iPad, iPhone, Android, tablet, or laptop). We recommend using the Rockville IPS20 Tablet/SmartPhone/iPhone/iPad Tripod Stand. Find it at RockvilleAudio.com.
2. Turn on your device and the BluAmp 150. Pair the two using the Bluetooth feature (follow the pairing procedures on page 5).
3. Next go to www.youtube.com on your device and type the name of the song you would like to sing (+ the word karaoke) into the YouTube search field.
4. Adjust the mic echo (**E 00**) and volume (**n 00**) as well as the volume of the BluAmp 150 (**U 00**) as you see fit. Now you're ready to sing!

FEATURES/SPECIFICATIONS

- 4 ohms: 75 x 2 watts RMS and 300 x 2 watts peak
- 8 ohms: 40 x 2 watts RMS and 160 x 2 watts peak
- Class D circuit with great sound quality
- Two ¼" mic inputs for karaoke with echo control and mic volume control
- RCA audio output to connect to a subwoofer or another amplifier
- RCA Phono input for turntables
- RCA Auxiliary input to connect to any audio device
- Optical audio input
- Coaxial audio input
- USB/SD inputs (support WAV/MP3/WMA file types)
- Built-in Bluetooth 5.0 with 33-foot range
- 2 sets of binding post speaker output terminals
- Adjust bass, treble, balance, mic volume, mic echo, and master volume via touch panel.
- L/R balance control
- Built-in cooling fan
- Built-in pre-amplifier with low distortion
- LCD display with touch buttons
- Solid metal construction with a brushed aluminum front panel
- Multifunction volume knob
- Frequency response ($\pm 3\text{dB}$): 50Hz – 20KHz
- Auxiliary input impedance: 10k ohms
- Auxiliary input sensitivity: 300mV
- Phono input impedance: 47K Ohms
- Phono input sensitivity: 20mV
- Output impedance: 4 – 8 ohm
- Total Harmonic Distortion(THD): $\leq 0.5\%$
- Signal-to-Noise Ratio(S/N): $\geq 78\text{dBA}$
- Power input: 110V/240V~60Hz/50Hz

INPUTS/OUTPUTS

- Front: Two ¼" mic inputs
- Front: USB/SD inputs, built-in Bluetooth
- Rear: One RCA Aux input, one RCA Phono input, one Optical input, one Coaxial input
- Rear: One RCA Line output
- Two speaker outputs support 2-speaker or 4-speaker setups (banana or bare wire)

TROUBLESHOOTING

PROBLEM	SOLUTION
No power	<ul style="list-style-type: none">• Make sure the unit is plugged in.• Check that the power cable is plugged in tightly to the wall outlet.• If people or equipment tend to step and roll over or stretch your power cable it can get damaged. Always try a second cable to test for shorts in original cable. Dispose of original damaged power cables immediately.
Bluetooth pairing fails	<ul style="list-style-type: none">• Make sure both devices are turned on and that your BT device is discoverable.• Make sure you've selected the proper source.• Make sure the BT device is within 5ft of the unit.• Move both devices away from other BT devices, microwaves, wireless routers, and other electronics.• Make sure the unit is not paired to another device.
No sound	<ul style="list-style-type: none">• Make sure the correct input source is selected.• Check the master volume and mic volume controls as well as the volume settings of the input source.• Check all input connections as well as all output connections.
Microphone feedback	<ul style="list-style-type: none">• Make sure the microphones are not pointed toward or are too close to the speakers.• Adjust the treble settings.
No sound from microphones	<ul style="list-style-type: none">• Make sure the microphones are turned on.• Check all mic connections.• Check individual microphone volume settings as well as master microphone volume.• Make sure the microphones are in proper working order.
No USB/SD playback	<ul style="list-style-type: none">• Make sure you've selected the proper mode, USB/SD (see page 5).• Make sure that the audio files are in the proper format (see page 5).• If you've opted to format your USB drive/SD card, make sure you have chosen FAT32.• Make sure that the SD card or USB drive is properly plugged in.• Check the SD card or USB drive for damage.

FEDERAL COMMUNICATIONS COMMISSION COMPLIANCE INFORMATION

Responsible party name: Rockville

Address: 600 Bayview Ave,
Entrance A,
Inwood, NY 11096

Hereby declares that the product Rockville BluAmp 150 Home Stereo Bluetooth Amplifier complies with FCC rules as mentioned in the following paragraph:

This device complies with Part 15 of the FCC rules. Operation is subject to the following two conditions: (1) this device may not cause harmful interference, and (2) this device must accept any interference received, including interference that may cause undesired operation.

Note: This equipment has been tested and found to comply with the limits for a Class B digital device, pursuant to Part 15 of the FCC rules. These limits are designed to provide reasonable protection against harmful interference in a residential installation. This equipment generates, uses and can radiate radio frequency energy and, if not installed and used in accordance with the instructions, may cause harmful interference to radio communications. However, there is no guarantee that interference will not occur in a particular installation. If this equipment does cause harmful interference to radio or television reception, which can be determined by turning the equipment off and on, the user is encouraged to try to correct the interference by one or more of the following measures:

- Reorient or relocate the receiving antenna.
- Increase the separation between the equipment and receiver.
- Connect the equipment to an outlet on a circuit different from that to which the receiver is connected
- Consult the dealer or an experienced radio/TV technician for help.



ROCKVILLE

RockvilleAudio.com

© 2022 ROCKVILLE // Features and specifications are subject to change and/or improvement without notice.