



RDS42 ASSEMBLY GUIDE

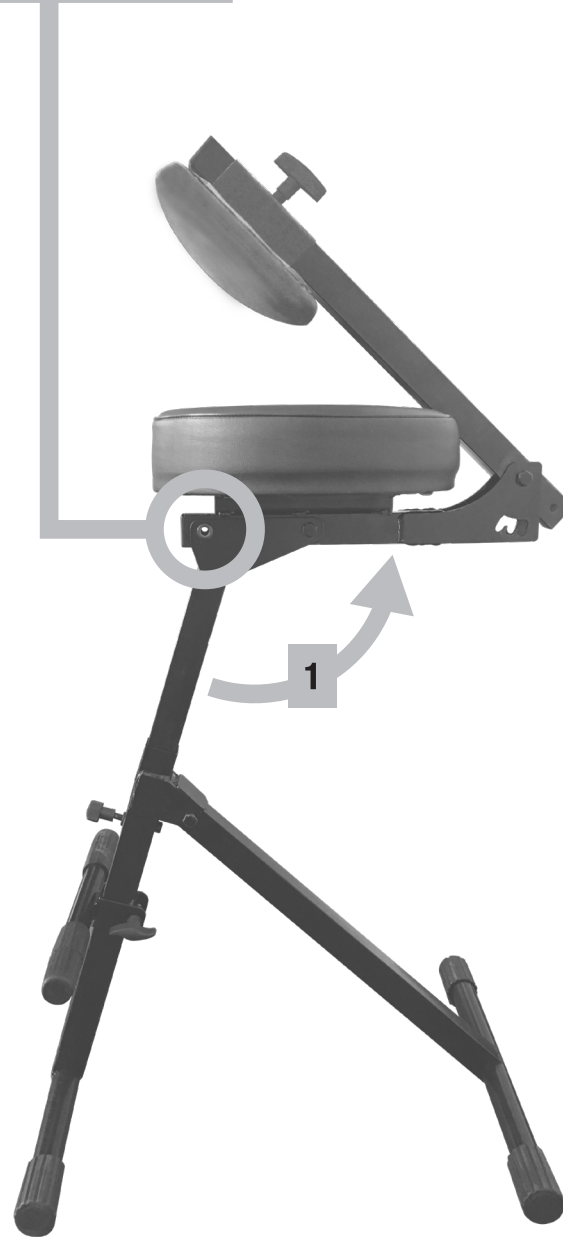
Thank you for purchasing the RDS42 Xtra Thickly Padded Portable Deluxe DJ/ Musicians Throne. Please read these instructions carefully before installation. Make sure all parts are included. If any parts are missing please contact our technical help line at 1-646-758-0144, Monday through Friday, 9am to 5pm EST.

STEP A



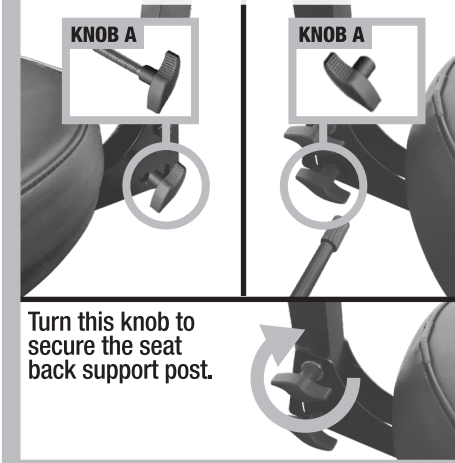
STEP B

2 Turn the knob to secure the seat support



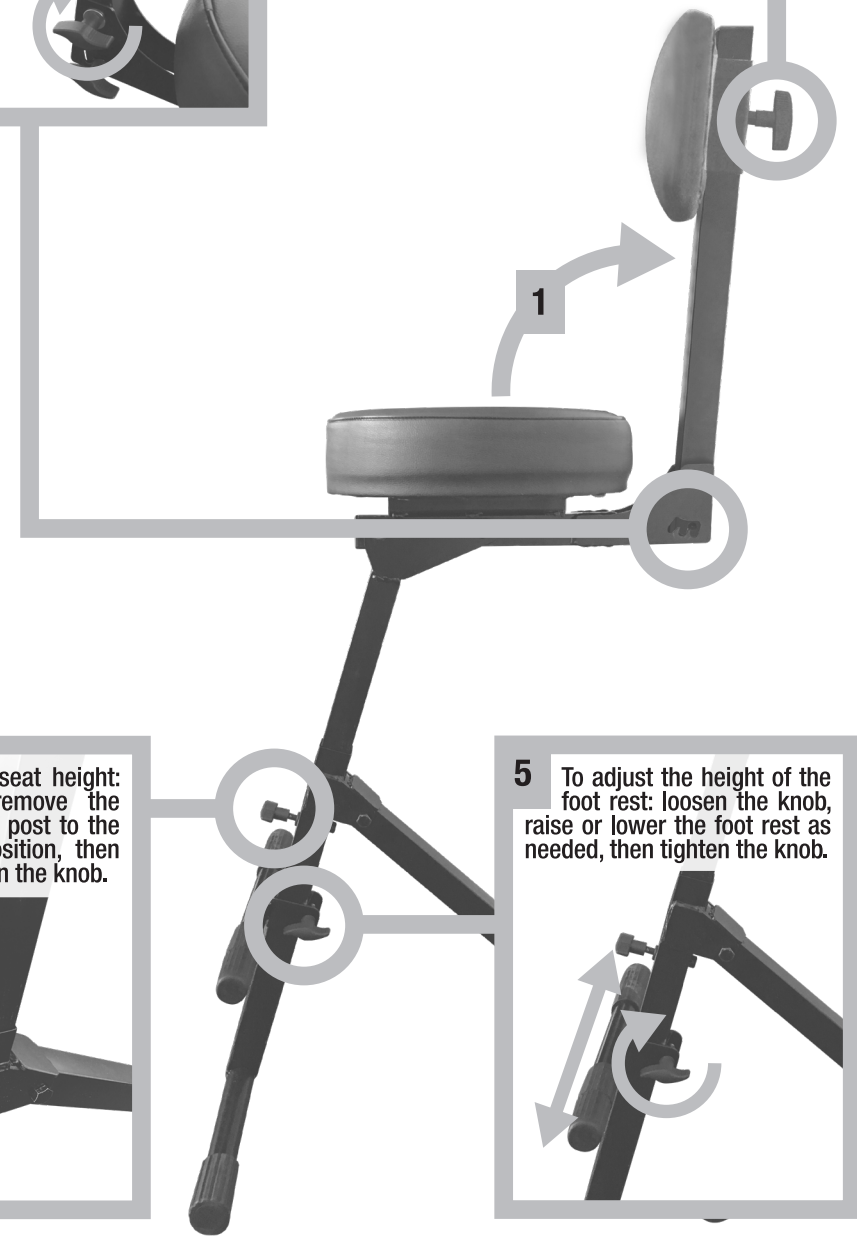
STEP C

2 Set the post to one of the three reclining positions. Once set, insert knob "A" into the opening and screw it into knob "B" on the other side until it is completely tight.

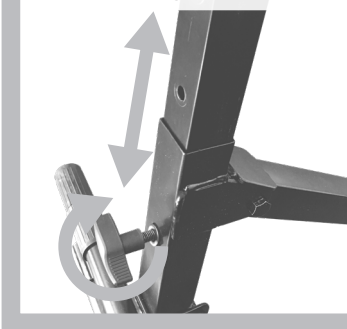


Turn this knob to secure the seat back support post.

3 To adjust the height of the seat back cushion: loosen the knob, slide the cushion to the desired position, and tighten the knob.



4 To adjust the seat height: loosen and remove the knob, set the seat post to the desired height position, then reinsert and tighten the knob.



5 To adjust the height of the foot rest: loosen the knob, raise or lower the foot rest as needed, then tighten the knob.

