

ROCKVILLE

PT525BR

5.25" MARINE BLUETOOTH LED WAKE
TOWER SPEAKERS FOR ATV/UTV

OWNER'S MANUAL

ATTENTION:
WATCH THIS VIDEO BEFORE FIRST USE!

Who reads manuals?

Scan the **QR code** or go to rockvillesupport.com/pt525br to access how-to video(s), the owner's manual, and other important information you may need to get the most out of your item.

If you prefer written instructions, please read ahead!

With Rockville you get many options.



Missing items? If you ordered a bundle that includes more than one product and you are missing part of your bundle, then it just means your order shipped from two different warehouses. You will receive the remaining items very soon. If you have any concerns or inquiries, feel free to call our customer support center at 1-646-758-0144, 24 hours a day/7 days a week.

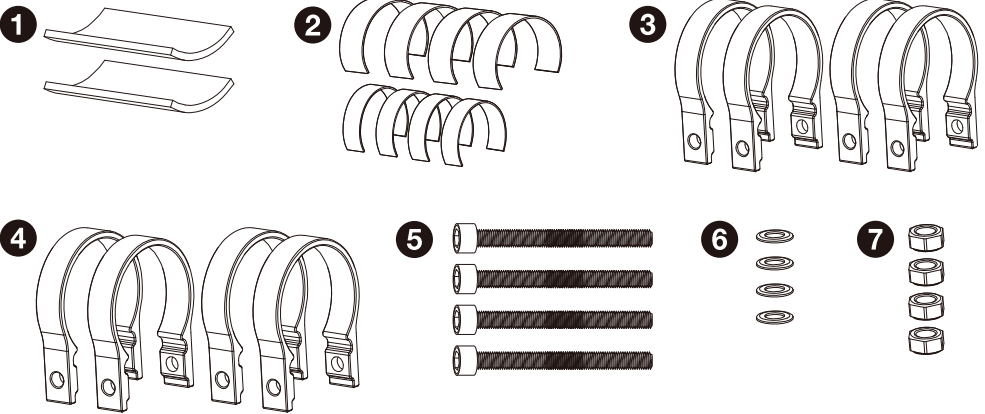
Thank you for purchasing these Rockville PT525BR tower speakers. Please read this owner's manual carefully for proper use of your PT525BR. Should you need assistance, please call our technical help line at 1-646-758-0144, Monday through Thursday, 9am to 10pm EST, or Fridays, 9am to 3pm EST.

Includes

- Two tower speakers (one active, one passive)
- 8.2-foot speaker wire to connect the active speaker to the passive speaker
- Mounting brackets and mounting hardware to fit 1.5", 1.75", 1.875", or 2"
- Installation hardware
- RGB lighting remote
- 3.5mm stereo wire
- Owner's manual
- Warranty card

Mounting Parts List

1	Non slip rubber pad (48 x 30mm)	2 PCS
2	Non slip rubber strip (120 x 14 x 1mm)	4 PCS
	Non slip rubber strip (130 x 14 x 2mm)	4 PCS
3	Aluminum ring 1.75"	4 PCS
4	Aluminum ring 2"	4 PCS
5	M6 x 60mm screw	4 PCS
6	Non-slip flat washer for M6 screw	4 PCS
7	Non-slip nut for M6 screw	4 PCS



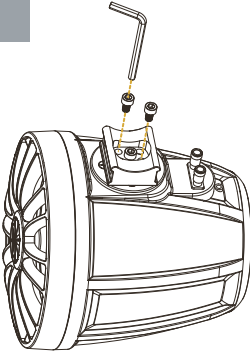
Installation safety considerations

Please remember that these are heavy products that will be installed on an ATV, UTV, or a boat. These vehicles can travel at high speeds and be unstable, so please keep this in mind and use extreme caution.

- When installed on a boat, do not mount the speaker in a location where someone could either walk into it or strike their head. During a turbulent ride, please make sure that you do not lose footing and fall or hit the unit as it may cause injury.
- For boat installations, secure the wires to the speaker in multiple locations along the route to the audio source so there are no hanging wires. Having nonsecure wires, especially in low light conditions, can cause entanglement and injury.
- Make sure to use the included rubber inserts when securing the speaker to the wake tower. Do not overtighten the clamp. After installation is complete, and before operating your vehicle or vessel, please check all bolts to ensure they are completely tightened.
- Do not install these speakers where they may block the view of the operator or prevent safe operation of your vehicle or vessel.

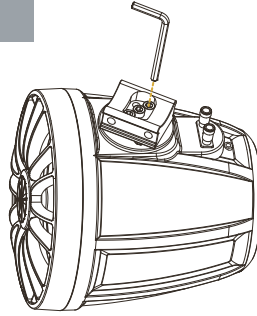
Installation

STEP 1



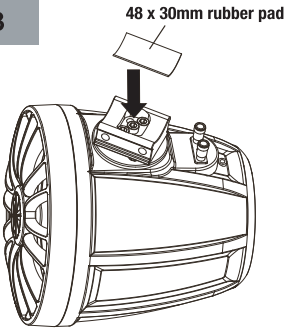
The two screws can be unbolted to loosen the metal base of the mounting ring to adjust the mounting angle. Make sure to put all components of the mounting hardware in a safe location.

STEP 2



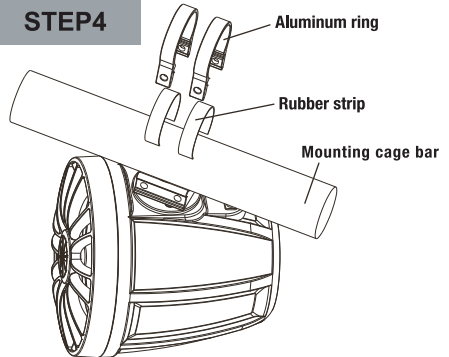
After loosening the two screws and determining the optimal angle for your speakers on the mounting bar, tighten the two screws in place to secure the metal base of the mounting ring tightly.

STEP 3



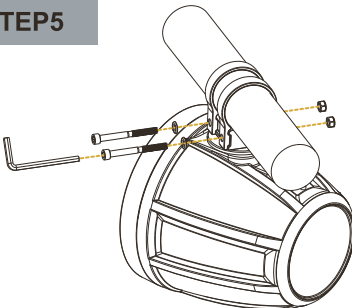
Place the front rubber pad on the metal base of the mounting ring.

STEP 4



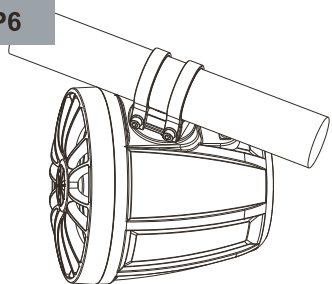
Place the supplied rubber strip around the cage bar to prevent scratching. Push the aluminum ring over the cage bar. Align the aluminum ring over the cage bar. Align the aluminum rings with the metal base of the mounting rings on the waketower speaker.

STEP 5



Secure the aluminum rings to the metal base using a pair of M6 x 60mm screws, M6 flat washers, and M6 locknuts as illustrated. The locknut should be installed into the hex-shaped recess on one end of each ring. Do not overtighten. To change the position of the speaker loosen the screws, adjust the speaker, then retighten the screws.

STEP 6



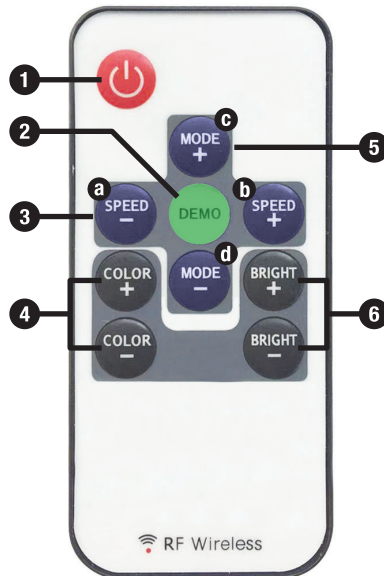
PT525BR wake tower speaker installation completed.

Bluetooth

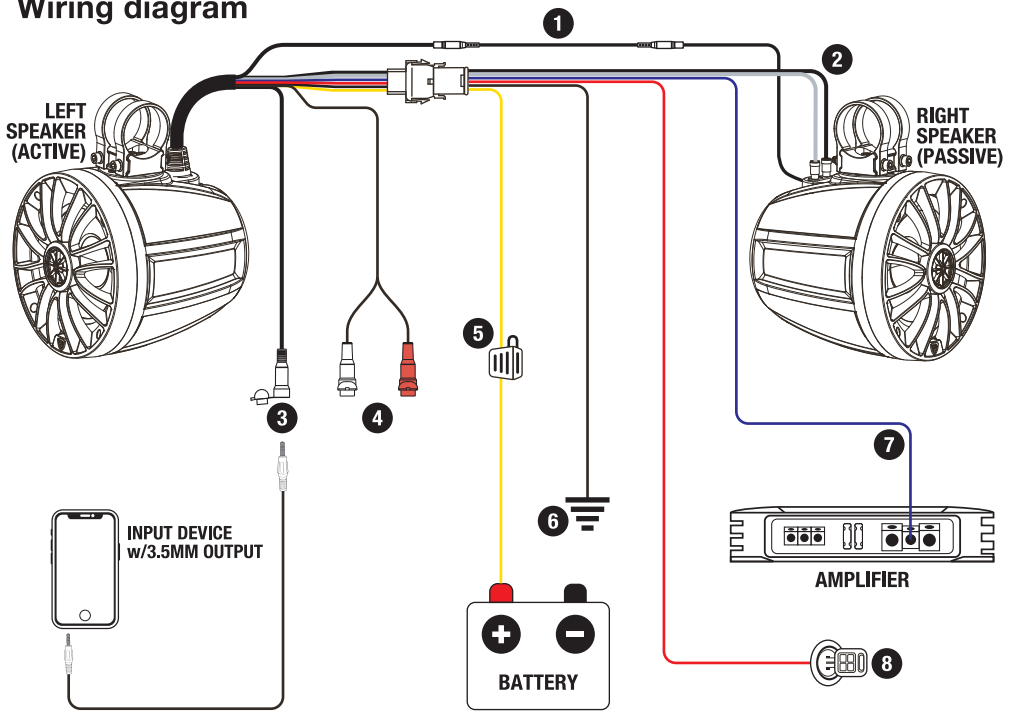
1. Make sure your Bluetooth device is turned on and discoverable.
2. When your device is within range of the speaker, it will connect automatically. If it does not connect automatically, search for and select PT525BR from your device's list of available Bluetooth connections.
3. To disconnect, simply end the Bluetooth connection via your device. If your device goes out of range, the speaker will automatically disconnect. Once your Bluetooth device is disconnected, the speaker will go into AUX mode.
4. The speaker will connect with the last paired device when it is within range.

Remote control

1. Power: Turns the LEDs on or off.
2. Demo Mode: Unit cycles through red, green, and blue LEDs.
3. Dynamic Speed Adjustment: Pressing either one of the buttons will switch the unit to dynamic mode. Press the + button to increase speed, press the - button to decrease speed.
4. Static Color Adjustment: Pressing either one of the buttons will switch the unit to static mode. Press the + and - buttons to cycle through colors.
5. Dynamic Mode Adjustment: Pressing either one of the buttons will switch the unit to dynamic mode. Press the + and - buttons to cycle through dynamic modes.
6. Brightness Adjustment: Press the + and - buttons to increase or decrease the brightness of the LEDs.



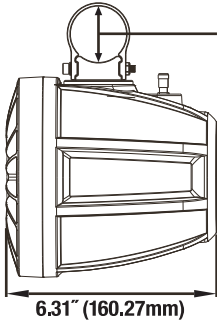
Wiring diagram



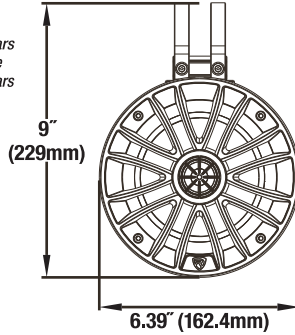
1. LED Interconnect wire: Used to power the passive speaker's LEDs.
2. Speaker wires: Connect to the right (passive) speaker's spring loaded push terminals. Be sure to observe proper polarity. Grey - positive/Black - negative
3. 3.5mm Auxiliary input: Connect to an external input device with a 3.5mm output using the included 3.5mm to 3.5mm cable. You can also connect devices with RCA outputs using a dual rca to 3.5mm adapter.
4. RCA Output: Used to connect to an external speaker or amplifier.*
5. Power wire: Yellow wire with built-in fuse holder. Goes to the positive terminal of the battery. An optional power cable extension with an in-line fuse holder can be installed between the yellow power cable and the battery. The fuse holder should be within 18" of the battery. This in-line fuse offers protection against damage from short circuits and helps protect your vehicle's electrical system.
6. Ground wire: Connect the ground wire to a metal part of the vehicle's chassis, making sure that there is no paint or other insulator blocking a good ground connection. If no metal grounding point is available, you can connect the wire to the battery's negative terminal.
7. Remote wire (blue): Connect this wire to the remote terminal of your amplifier.*
8. Accessory wire (red): Connects to the vehicle's +12V ignition accessory switch.

*** PLEASE NOTE:** When used in conjunction, the blue remote cable will turn on the amp and the RCA output will send an audio signal to the amp.

Speaker Dimensions



Mounting Tube Diameter:
2" (51mm) Accomodates roll bars from 1.5" to 2" (38 - 51mm). Use the included non-slip rubber pads for bars smaller than 2".



Features:

- Peak Power Handling: 270 Watts
- RMS Power Handling: 90 Watts (RMS 45W x 2 @ 4 Ohm <1% THD)
- 5.25" woofers with 11oz magnets and oversized 1" Kapton voice coils
- Polypropylene-mica-injected cone with butyl rubber surround
- 1" PEI dome tweeters with neo magnets
- All-in-one system with Class "D" Amplifier
- Built-in Bluetooth audio streaming with 33-foot range
- 3.5MM aux input
- IPX6 Water resistance rated
- Shockproof design
- Heavy-duty ABS enclosure, weather-resistant grills, and hardware
- Marine-grade components are protected from the elements
- Adjustable aluminum mounting bracket is strong and sturdy
- Bracket swivels 360 degrees (fixed swivel)
- Bracket supports any rollbar from 1.5" to 2" thick
- RGB lighting remote can control mode, color, brightness
- Built-In Two-Way Crossover Network
- Shallow enclosure design
- Fully marinized against salt and freshwater conditions
- Completely resistant to water, rust, and uv rays
- Terminals are sealed with rubber gaskets
- Frequency Response: 130Hz – 20kHz
- SPL: 87dB @ 1w/1m
- Impedance: 4 Ohms
- Color: Black
- Dimensions (H x W x D): 9" x 6.39" x 6.31"

FEDERAL COMMUNICATIONS COMMISSION COMPLIANCE INFORMATION

Responsible party name: Rockville

Address: 600 Bayview Ave.
Entrance A
Inwood, NY 11096

Hereby declares that the Rockville PT525BR Wake Tower Speaker complies with FCC rules as mentioned in the following paragraph:

This device complies with Part 15 of the FCC rules. Operation is subject to the following two conditions: (1) this device may not cause harmful interference, and (2) this device must accept any interference received, including interference that may cause undesired operation.

Note: This equipment has been tested and found to comply with the limits for a Class B digital device, pursuant to Part 15 of the FCC rules. These limits are designed to provide reasonable protection against harmful interference in a residential installation. This equipment generates, uses, and can radiate radio frequency energy and, if not installed and used in accordance with the instructions, may cause harmful interference to radio communications. However, there is no guarantee that interference will not occur in a particular installation. If this equipment does cause harmful interference to radio or television reception, which can be determined by turning the equipment off and on, the user is encouraged to try to correct the interference by one or more of the following measures:

- Reorient or relocate the receiving antenna.
- Increase the separation between the equipment and receiver.
- Connect the equipment to an outlet on a circuit different from that to which the receiver is connected.
- Consult the dealer or an experienced radio/TV technician for help.



ROCKVILLE

RockvilleAudio.com

©2024 ROCKVILLE // The information presented is subject to change and/or improvement without notice.