



# RZL7 Installation Instructions

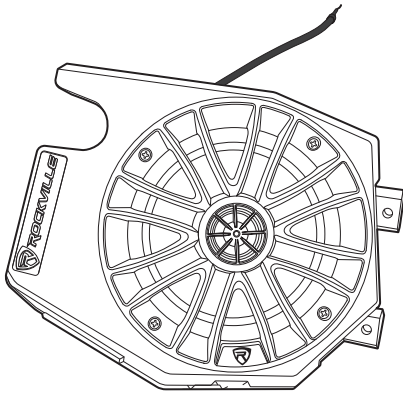
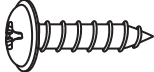
Thank you for purchasing these RZL7 6.5" preloaded speaker pods for your 2014 – 2023 Polaris RZR and XP models (excludes 2024 and up models). Please read these instructions carefully before installing. Make sure all parts are included. If any parts are missing please contact our technical help line at 1-646-758-0144, 24 hours a day/7 days a week. Additionally, you can scan the QR code above or go to [rockvillesupport.com/rzl7](http://rockvillesupport.com/rzl7) for essential information, guides (video and/or written), and tips to make the most out of your purchase.

## Specifications

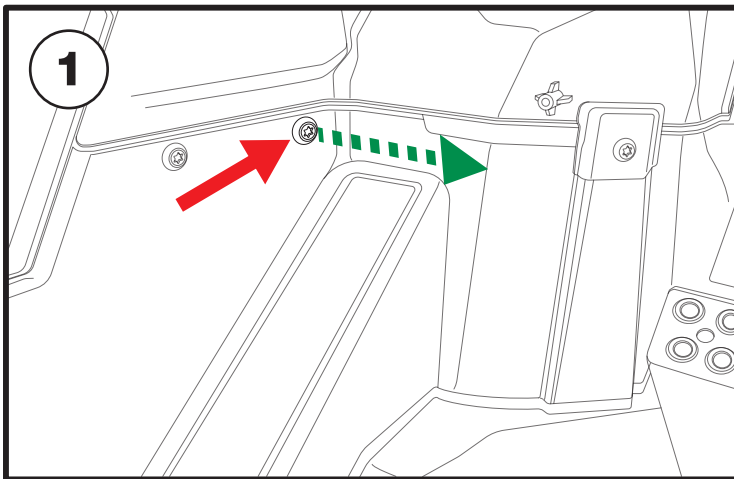
- Speaker: RM-PREMIUM-65 6.5"
- Impedance: 4-Ohm
- RMS Power: 75W per Speaker/150W per Pair
- Peak Power: 300W per Speaker/600W per Pair

## Tools needed:

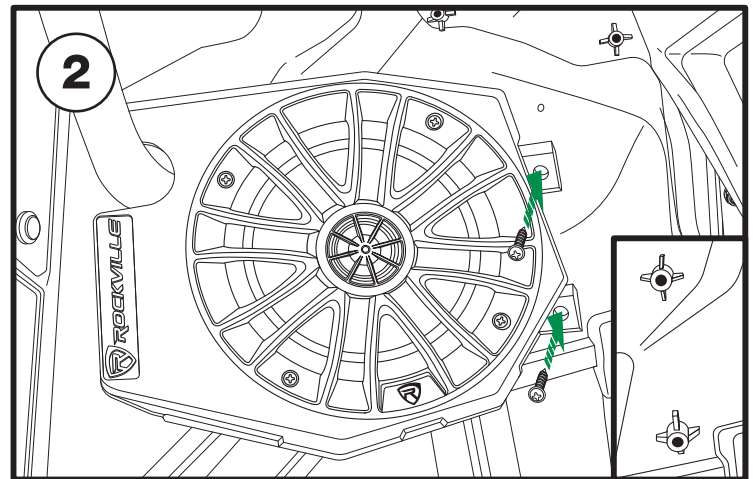
- T-40 Torx driver
- #2 Phillips screwdriver

RockZR V2 Enclosure		1 pair
M6 Enclosure mounting screws		6 pcs.

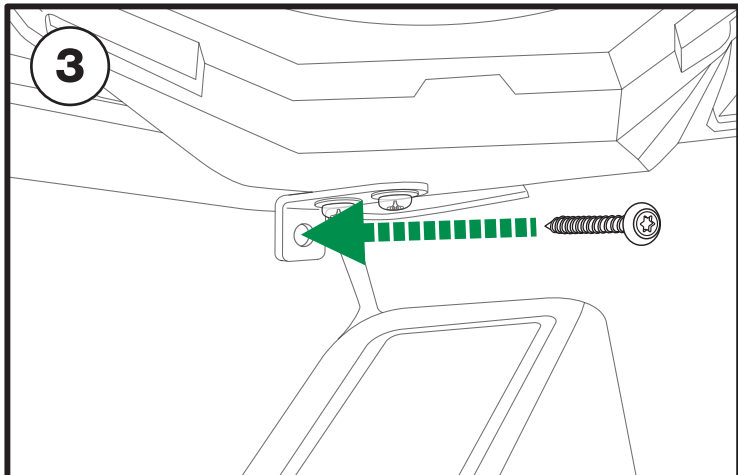
## Installing the Kick Pod



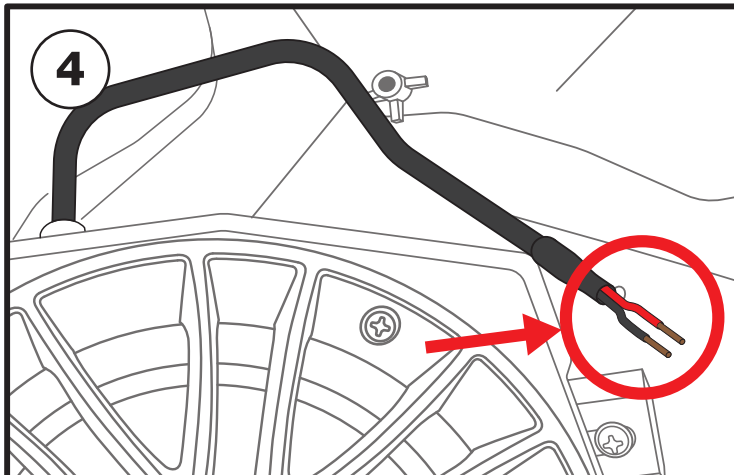
1. Starting at the driver side footwell, remove the factory T40 Torx screw. Save this screw and do not lose it as you will need later in the installation process.



2. Place the driver kick pod into location so that the cutout sits properly around the frame tube and both vehicle screw bosses (inset) line up with the kick pod's mounting brackets. Use two of the included M6 screws to loosely secure the pod.



**3.** Locate the T40 torx screw previously removed in Step 1. Slide it through the lower kick pod bracket to vehicle panel. Loosely screw into place. Go back and fully tighten the M6 screw you installed in step 2. Now fully tighten the T40 Torx screw.



**4.** Connect the radio-style shaved wires to the corresponding speaker outputs of your amplifier using a butt connector with heat shrink or whichever method works best for your install.

**Repeat steps 1 – 4 to install the passenger side pod.**