

ROCKVILLE

GO PARTY X10

DUAL 10" BATTERY POWERED BLUETOOTH
PARTY SPEAKER w/UHF MICROPHONE

OWNER'S MANUAL

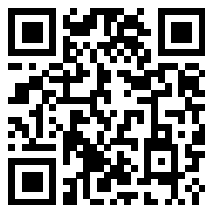
ATTENTION:

VISIT THE ROCKVILLE SUPPORT SITE FIRST!

Scan the **QR code** or go to **rockvillesupport.com/go-party-x10** for essential information, guides (video and/or written), and tips to make the most out of your purchase.

If you prefer written instructions, please read ahead!

With Rockville you get many options.



Missing items? If you ordered a bundle that includes more than one product and you are missing part of your bundle then it just means your order shipped from two different warehouses. You will receive the remaining items very soon. If you have any concerns or inquiries, feel free to call our customer support center at 1-646-758-0144, 24 hours a day/7 days a week.

ROCKWELL

Thank you for purchasing this Rockville GO PARTY X10. Please read this owner's manual carefully for proper use of your GO PARTY X10. Should you need assistance, please call our technical help line at 1-646-758-0144, 24 hours a day/7 days a week.

Included

- (1) Dual 10" Powered 1000 Watt Bluetooth Speaker
- Remote control
- Power Adapter
- Metal UHF Wireless Microphone
- Owner' s manual
- Warranty

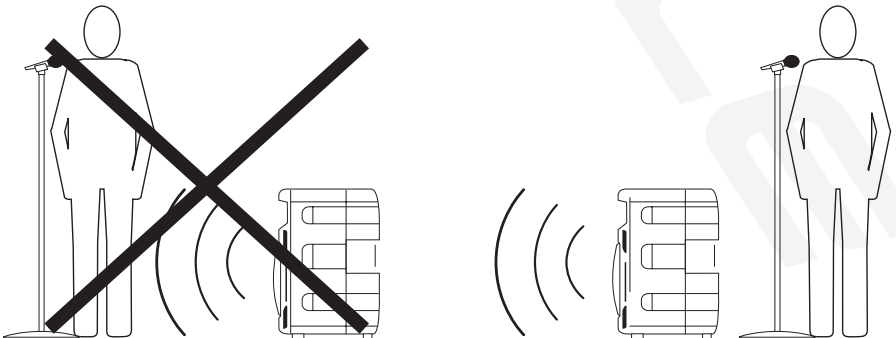
IMPORTANT SAFETY INSTRUCTIONS



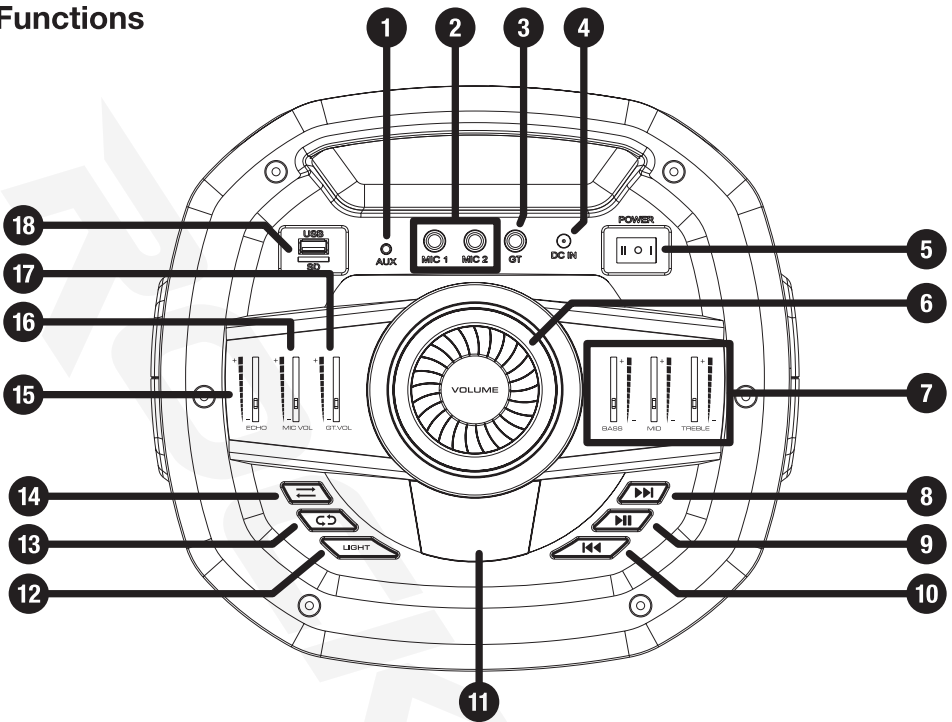
- To reduce risk of electric shock, never open the unit. There are no serviceable parts, refer service to the Rockville service center.
- Do not expose this unit to any kind of moisture.
- Make sure the unit is placed on a level and stable surface.

How to Avoid Irritating Feedback

The placement of your microphone is critical in avoiding feedback through your Go Party X10 speaker. Never set up your microphone in front of the speaker. Always set up your microphone behind the speaker. When approaching the speaker to make any adjustments, we recommend approaching the speaker from the rear and not walking directly towards the front of the speaker.

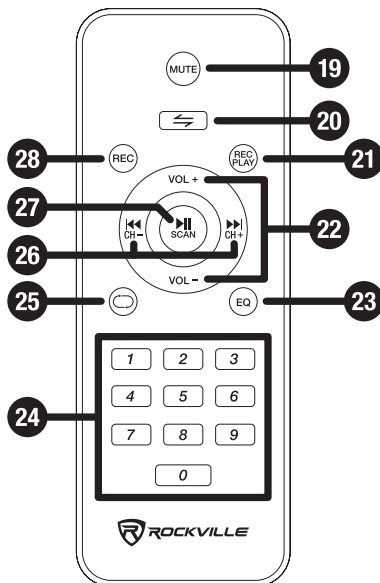


Functions



1. 3.5mm AUX input
2. 1/4" unbalanced microphone inputs. Please note: We recommend using professional unbalanced dynamic mics as they are least likely to be affected by interference. Low cost, high impedance mics can be used, however the level of background noise is higher since an unbalanced circuit is far more susceptible to interference.
3. 1/4" unbalanced guitar input
4. DC 15V power input
5. Three position power button: Press the button to the left for battery operation (I). Press the button to the right for external power operation (II). Set the button to the center to turn the unit off (O).
6. Master volume
7. Three Band EQ: Use the sliders to adjust high (treble), mid, and low (bass) frequencies.
8. Next button: During USB/SD and Bluetooth playback, use this button to move to the next track.
9. Play/Pause button: Press the button to pause or resume audio playback in USB/SD and Bluetooth mode.
10. Previous button: During USB/SD and Bluetooth playback, use this button to move to the previous track.
11. LCD display
12. Light button: Press this button to turn on and turn off the lighting effect.
13. Repeat and Mic Priority button: Press once to repeat single song, press twice to repeat all songs. Press and hold to activate or deactivate mic priority function. When activated, this function will lower the music level while the mic is being used. Press again to exit repeat mode.

14. Mode button: Press to switch between input modes: Bluetooth, USB/SD, and AUX input. Press and hold for 3 to 5 seconds to turn on or turn off voice prompts.
15. Echo slider: Used to adjust echo effect.
16. Mic volume: Use this slider to adjust the volume level of all mic input.
17. GT volume: Use this slider to adjust the volume level of guitar input.
18. USB/SD input ports.
19. Mute
20. Mode button (see item 14 above)
21. Rec Play button: Use this button to play back any recordings made using the record button.
22. Vol+/Vol-: Use to adjust the speakers volume.
23. EQ button
24. Number pad: In USB/SD mode, use the number pad to direct select tracks.
25. Repeat button (see item 13 on page 4)
26. Previous/CH- and Next/CH+ (see items 8 and 10 on page 4)
27. Play/Pause/Scan button (see item 9 on page 4)
28. Rec button: allows for recording of input from the wireless mic as well as any wired mics connected to the speaker.



Operation

TWS

The Go Party X10 features true wireless stereo (TWS) Bluetooth linking. This means you can purchase 2 of these speakers and link them together to play in stereo wirelessly.

1. Make sure both speakers are OFF.
2. Go to your phone's Bluetooth interface and make sure that it is not connected to either of the speakers. If your phone is connected, choose to forget or remove the speakers from the list of available devices.
3. Turn both speakers ON. Press the MODE button on both speakers. The word "bLUE" should appear on both LCD screens and flash intermittently.
4. Press the NEXT button on either one of the speakers for 5 seconds. Both units will enter pairing mode.
5. One of the units will show the word "bLUE" on the LCD display. This is the primary unit and will act as the left channel. The other unit will show the word "tOt." This will be the secondary unit and will act as the right channel.
6. Go to your phone's Bluetooth interface and select "Go Party X10" from the list of available devices. If pairing is successful, the word bLUE on the primary unit will stop flashing.
7. To disconnect the speakers, select any other mode on either one of the speakers.

Please note, in TWS mode, both units will operate independently. For example, if you turn down the volume on the primary unit, it will not affect the secondary unit.

Operation (continued)

Bluetooth

To connect your iPod, iPad, iPhone, MP3 player, Android phone or tablet or any other Bluetooth capable device follow the steps listed below.

1. Make sure the speaker is ON.
2. Press the mode button until you are in Bluetooth mode. The word “bLUE” will appear on the LCD readout and will flash intermittently.
3. Turn on the Bluetooth feature on your device and ensure that it is discoverable. Look for and select “Go Party X10” from the list of available devices.
4. Upon successful pairing, the word bLUE will stop flashing.
5. Use the PLAY/PAUSE button to pause and resume playback.
6. Use the PREVIOUS/NEXT buttons for track selection.
7. Use the master VOLUME knob to set the volume level.

Microphone

The Go Party X10 includes a wireless mic. It also features two ¼” unbalanced MIC IN ports (located on the top of the unit) to connect wired mics (not included). There is an independent mic volume control and an echo effect control.

To use the included wireless mic, simply turn the microphone on. It will automatically connect with the speaker.

To connect wired mics, follow the procedure below.

1. Make sure the speaker is OFF.
2. Plug your microphone(s) into either of the ¼” mic inputs (MIC 1 or MIC 2).
3. Set the MIC VOL slider to the lowest setting.
4. Set the master VOLUME to the lowest setting.
5. Turn the speaker ON.
6. Slowly adjust the MIC VOL slider until you’ve reached the desired level.
7. Adjust the master VOLUME as needed.

Always stand behind the unit when using microphones so as to avoid feedback.

Recording Microphone Input

The Go Party X10 can record all microphone input to an SD card or USB drive. Simply press the REC button on the remote control while using the microphone(s). To play back your recording, press the REC PLAY button on the remote control.

Guitar

The Go Party X10 features one ¼” unbalanced guitar input port (labeled GT and located on the top of the unit) with independent volume control.

1. Make sure the speaker is OFF.
2. Plug your guitar into the ¼” input marked GT.
3. Set the GT VOL slider to the lowest setting.
4. Set the master VOLUME to the lowest setting.
5. Turn the speaker ON.
6. Slowly adjust the GT VOL slider until you’ve reached the desired level.
7. Adjust the master VOLUME as needed.

Always stand behind the unit when using a guitar so as to avoid feedback.

USB/SD

The built-in media player allows you to play MP3 files. To access this function follow the steps below.

1. Make sure the speaker is ON.
2. Insert a USB flash drive or SD card into the corresponding port. Music should begin playing automatically.
3. Use the PLAY/PAUSE button to pause and resume playback.
4. Use the PREVIOUS/NEXT buttons for track selection.
5. Use the master VOLUME knob to set the volume level.

Please note, the unit can accept SD cards and USB drives with a max capacity of 32GB. USB drive must be formatted as FAT32 and files must be in the MP3 format.

AUX

The 3.5mm AUX jack allows for input from smart phones, MP3 players, CD players, or any other external signal source with a 3.5mm jack or RCA outputs. Please note you will need either a 3.5mm to 3.5mm cable or an RCA to 3.5mm cable (not included).

1. Make sure the speaker is OFF.
2. Set the master VOLUME to the lowest setting.
3. Connect signal source to the 3.5mm AUX input.
4. Turn the speaker ON.
5. Set the master VOLUME to the desired level.

Please note, inserting a USB drive or SD card will override AUX input.

Battery Operation and Charging

To use the internal battery, firstly ensure that the battery is fully charged (see the charging procedure below.) Press the speaker's power button to the right for battery operation.

To charge the battery:

1. Turn the speaker off.
2. Plug in the external power supply.
3. Battery will begin to charge automatically and the LED indicator (in the LCD display) will be orange.
4. Once the battery is fully charged, LED indicator will be green.

Please note: Charging time is 6 hours. The battery will last 15 hours at 25% volume, 9 hours at 50%, and 5 hours at 90%. The speaker features a charging protection circuit to prevent the battery from overcharging.

Battery Replacement

Read these instructions carefully for proper replacement of speaker's battery. Please note, although it is possible for you to remove and replace the battery, we recommend you contact our customer support service department before doing so.

1. Turn the speaker off and unplug the external power supply.
2. Using a Phillips head screwdriver, remove the six screws that hold the battery cover in place and pull it away from the speaker.
3. Slowly and carefully pull the battery out.
4. Disconnect the wire leads from the battery.
5. Connect the wire leads to the new battery and place the battery into the compartment.
6. Replace the battery cover. Use the six screws the were removed in step 1 to securely fasten it to the speaker.

Features and Specifications

- 1000 Watts Peak/200 Watts RMS
- Bluetooth music streaming with any smartphone, tablet, Alexa device, etc
- TWS – True Wireless Stereo - Wirelessly link 2 speakers
- 12V 7.5 AH Rechargeable battery lasts 15 hours at 25 % volume, 9 hours at 50%, and 5 hours at 90%.
- Built-in Bluetooth, USB, and SD
- Built-in blue LED lights that go to the music with on/off switch
- Perfect for house party's, Home use, DJ, tailgating, camping, and other applications
- (2) High power long-throw 10" woofers with 1.5" voice coils
- (2) 1/4" mic inputs with level control and echo control
- 1/4" Guitar input with level control
- 3.5mm AUX input with level control
- 50 foot Bluetooth range
- Large master volume control jog wheel
- Built-in wheels and handle for increased portability and transport convenience
- 3 band graphic equalizer built in
- High-quality ABS enclosure
- LED screen displays track info as well as battery life indicator
- Rear subwoofer port for deep pounding bass
- Built-in UHF mic transmitter
- High-quality handheld metal UHF wireless microphone
- Mic priority function can be turned on or off (When on; it lowers the music while talking into the mic).
- Class D amplifier built-in
- Frequency Response: 40Hz – 20kHz
- Maximum SPL @1w/1m: 105dB peak/100dB continuous
- Microphone with digital display and battery life indicator (uses 2x AA batteries)
- 110/220V Auto-switching power supply
- Speaker dimensions in inches: 12.2" x 11.4" x 34.3"
- Weight: 31.5 Lbs.

Troubleshooting

PROBLEM	SOLUTION
No power	<ol style="list-style-type: none"> 1. Make sure the unit is plugged in and the power switch is in the ON position. 2. Check that the power cable is plugged in tightly to the unit. 3. If using the battery, make sure the battery is charged and that the power switch is in the battery operation position (see page 7 for details.)
No sound/ distorted sound	<ol style="list-style-type: none"> 1. Check that all input cables are plugged in correctly. 2. Check the Master Volume settings. 3. Be sure volume of the input source is set properly. 4. If using mics or guitar, make sure the corresponding volume control is set properly. 5. Be sure your microphone (wireless or wired) or guitar is on. 7. If volume and EQ settings are maxed out, turn one of them down as you may be overdriving the unit.
Buzzing sound	<p>Make sure you are using a proper cable. For ¼" cables, there are 3 types: instrument, TS (unbalanced), and TRS (balanced). Check the requirements of the connected gear and the input of the speaker and make sure you are using the appropriate cable.</p>
Mic/Guitar feedback	<p>Point the mics and/or guitar away from the speaker. Make sure they are behind the speaker.</p>
Poor Mic sound	<ol style="list-style-type: none"> 1. Make sure the microphones are on, that you are using the appropriate cable, and that the volume settings are turned up. 2. Check wireless mic batteries.
Bluetooth/TWS pairing fails	<ol style="list-style-type: none"> 1. Check to see that both devices are turned on and that your Bluetooth device is discoverable. 2. Turn both devices off and then on. 3. Make sure you've selected the proper source. 4. Make sure that the Bluetooth device is within 5 feet of the unit. 5. Move both devices away from other Bluetooth devices, microwaves, wireless routers, and other electronics. 6. Make sure that the unit is not paired to a previously paired device or to another speaker. <p>Please refer to pages 5 and 6 for TWS and Bluetooth pairing procedures.</p>
No SD or USB playback	<ol style="list-style-type: none"> 1. Make sure you've selected the proper source. 2. Make sure that the audio files are in the specified format. 3. Make sure the drive are not larger than the acceptable capacity rating and that it is properly formatted (see page 7 for details.)

ROCKY MOUNTAIN

FEDERAL COMMUNICATIONS COMMISSION COMPLIANCE INFORMATION

Responsible party name: Rockville

Address: 600 Bayview Ave.
Entrance A
Inwood, NY 11096

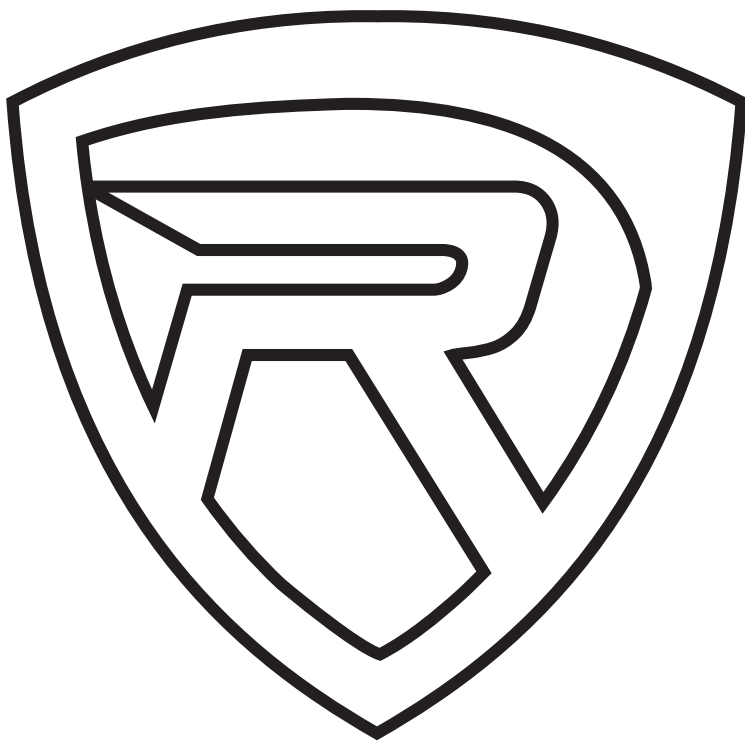
Hereby declares that the product(s) Go Party X10 speaker complies with FCC rules as mentioned in the following paragraph:

This device complies with Part 15 of the FCC rules. Operation is subject to the following two conditions: (1) this device may not cause harmful interference, and (2) this device must accept any interference received, including interference that may cause undesired operation.

Note: This equipment has been tested and found to comply with the limits for a Class B digital device, pursuant to Part 15 of the FCC rules. These limits are designed to provide reasonable protection against harmful interference in a residential installation. This equipment generates, uses and can radiate radio frequency energy and, if not installed and used in accordance with the instructions, may cause harmful interference to radio communications. However, there is no guarantee that interference will not occur in a particular installation. If this equipment does cause harmful interference to radio or television reception, which can be determined by turning the equipment off and on, the user is encouraged to try to correct the interference by one or more of the following measures:

- Reorient or relocate the receiving antenna.
- Increase the separation between the equipment and receiver.
- Connect the equipment to an outlet on a circuit different from that to which the receiver is connected.
- Consult the dealer or an experienced radio/TV technician for help.

ROCKVILLE



RockvilleAudio.com