

# ROCKVILLE

## ROCK PARTY 9

DUAL 8" HOME/PORTABLE BLUETOOTH  
SPEAKER w/DEEP BASS and EFFECTS

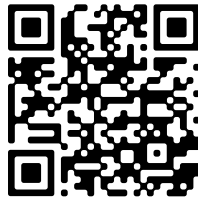
### OWNER'S MANUAL

**ATTENTION:**  
**WATCH THIS VIDEO BEFORE FIRST USE!**

Scan the **QR code** or go to **rockvillesupport.com/rock-party-9** for essential information, guides (video and/or written), and tips to make the most out of your purchase.

**If you prefer written instructions, please read ahead!**

*With Rockville you get many options.*



**Missing items?** If you ordered a bundle that includes more than one product and you are missing part of your bundle then it just means your order shipped from two different warehouses. You will receive the remaining items very soon. If you have any concerns or inquiries, feel free to call our customer support center at 1-646-758-0144, 24 hours a day/7 days a week.



# ROCKVILLE

Thank you for purchasing this Rockville ROCK PARTY 9. Please read this owner's manual carefully for proper use of your ROCK PARTY 9. Should you need assistance, please call our technical help line at 1-646-758-0144, 24 hours a day/7 days a week.

## Included

- (1) Dual 8" Battery-Powered Bluetooth Speaker
- Remote control
- 3.5mm to 3.5mm Aux Cable
- Power Cable
- Owner's Manual

## IMPORTANT SAFETY INSTRUCTIONS



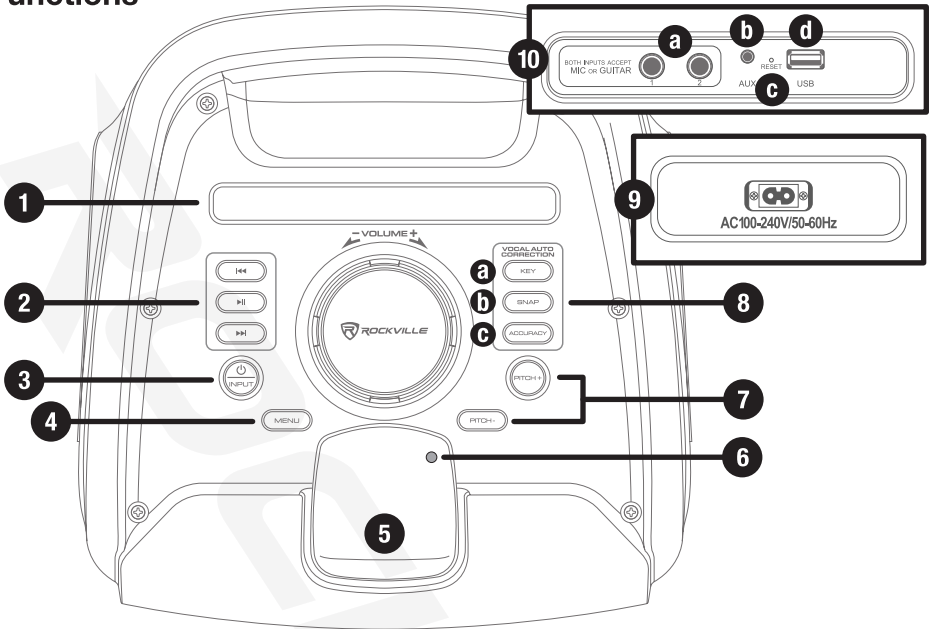
- To reduce risk of electric shock, never open the unit. There are no user-serviceable parts, refer service to the Rockville service center.
- Do not expose this unit to any kind of moisture.
- Make sure the unit is placed on a level and stable surface.

## How to Avoid Irritating Feedback

The placement of your microphone is critical in avoiding feedback through your Rock Party 9 speaker. Never set up your microphone in front of the speaker. Always set up your microphone behind the speaker. When approaching the speaker to make any adjustments, we recommend approaching the speaker from the rear and not walking directly toward the front of the speaker.



# Functions



1. Smartphone/tablet slot
2. Playback controls
  - ◀◀: select previous track, press and hold to rewind (USB and BT mode only)
  - ▶▶: start or pause playback. Press and hold to force disconnect a device or force reconnect a prev device.
  - ▶▶▶: select next track, press and hold to fast forward (USB and BT mode only)
3. Power/Input button: Press and hold to power the unit on or off. Quickly press to switch between input modes - Bluetooth, USB, and AUX. The unit will automatically power off after 15 minutes of inactivity.
4. Menu: Press to cycle through various adjustable settings. Use the volume knob to make any changes.
  - a. C 00: Mic/guitar volume, C00 – C30
  - b. EC 00: Mic/guitar Echo effect, EC 00 – EC16
  - c. TR 0: Treble, -9 to +9
  - d. BA 0: Bass, -9 to +9
  - e. V 00: Main volume, V 00 – V 32
5. LED display screen shows input source, menu settings, battery life, as well as BT and charge status
6. LED charge indicator: When plugged in to charge, the LED will light up red. Once the unit is fully charged, the LED will turn solid green.
7. Pitch -/Pitch +: Press to adjust Pitch effect when microphones are connected.
8. Vocal Auto Correction: Press each button repeatedly to cycle through the available effect modes.
  - a. Key: A-FL/A-B-FL/B-C/D-FL/D-E-FL/E-F/G-FL/G/Off
  - b. Snap: Near/upper/lower/Off
  - c. Accuracy: Normal/Better/Off
9. AC power input (located on the rear panel)
10. Inputs (located on the rear panel)
  - a. 1/4" Unbalanced mic/guitar inputs

- b. 3.5mm Aux input
- c. Reset button: returns the unit to factory settings.
- d. USB input

## Remote Control

11. Mute

12. Turns the unit off. Please note, does not power the unit on.

13. MIC PRIORITY: Press this button to activate or deactivate the mic priority function. When activated, this function will lower the music level while the mic is being used.

14. Mode: Quickly press to switch between input modes - Bluetooth, USB, and AUX.

15. Repeat (USB only): Press once to repeat single song, press twice to repeat all songs.

16. Vol+/Vol-: Use to adjust the speaker's volume.

17. Playback controls

◀◀: select previous track, press and hold to rewind (USB and BT mode only)

▶||: start or pause playback. Press and hold to force disconnect a device or force reconnect a prev device.

▶▶: select next track, press and hold to fast forward (USB and BT mode only)

18. Mic/guitar Vol+/Vol-: Use to adjust the mic and guitar input volume.

19. ✨: Press the button repeatedly to cycle through the LED modes (L-01, L-02, L-03, L-OFF)

20. BT: Switches the unit to Bluetooth mode.

21. Voice: Turns voice prompts on or off.

22. Reset

### Short press

Mode: will not be changed

Volume: will be adjusted to V12.

Mic Vol: will be adjusted to C20.

Echo Vol: will be adjusted to EC16.

Treble and Bass: will be adjusted to 0.

EQ: will be reset.

### Long press

Mode: If the unit is in USB or AUX mode, it will change to Bluetooth mode. If the unit is already in Bluetooth mode, it will disconnect the from the paired device.

Volume: will be adjusted to V12.

MIC VOL: will be adjusted to C20.

ECHO VOL: will be adjusted to EC16.

Treble and Bass: will be adjusted to 0.

Pitch: will be adjusted to P00.

EQ: will be reset.

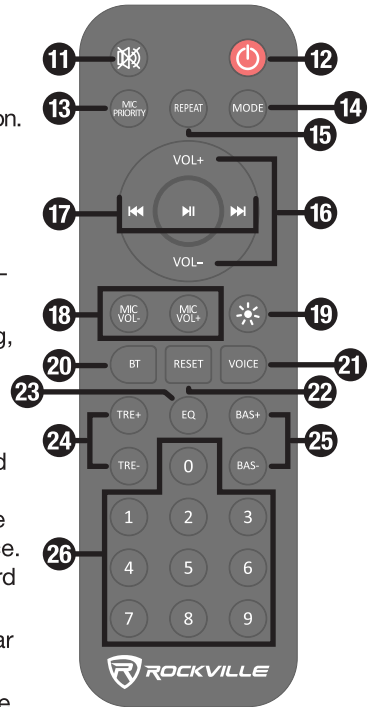
VOCAL AUTO CORRECTION: will be reset.

23. EQ: Press to select preset EQ (Classical/Pop/Rock/Jazz/Normal)

24. Treble +/-: Adjusts treble level.

25. Bass +/-: Adjusts bass level.

26. Number pad: Use the number pad to directly select tracks in USB mode.



# Operation

## Bluetooth

To connect your iPad, iPhone, MP3 player, Android phone, Android tablet, or any other Bluetooth-capable device, follow the steps listed below.

1. Make sure the speaker is ON.
2. Press the MODE button on the unit or the remote control until you are in Bluetooth mode. On the LED display you'll see "bt" and the BT icon in the lower left hand corner will flash intermittently.
3. Turn on the Bluetooth feature on your device and ensure that it is discoverable. Look for and select "ROCK PARTY 9" from the list of available devices.
4. Upon successful pairing, the BT icon in the lower left hand corner will stop flashing.
5. Use the PLAY/PAUSE button to pause and resume playback.
6. Use the PREVIOUS/NEXT buttons for track selection.
7. Use the master VOLUME knob as well as your device's volume control to set the volume level.

## Microphone/Guitar

You can connect two wired mics (not included) or two guitars via the unbalanced ¼" ports located at the back of the unit. There is an independent mic/guitar volume control as well as an echo effect that can be adjusted via the MENU button (see page 2, item 4). Mic/guitar volume can also be controlled via the remote control (see page 3, item 18). To connect wired mics or guitars, follow the procedure below. Always stand behind the unit when using microphones so as to avoid feedback.

1. Make sure the speaker is OFF.
2. Plug your microphone(s) or guitar(s) into either of the ¼" mic/guitar inputs (1 or 2).
3. Set the mic/guitar volume (C) to the lowest setting.
4. Turn the speaker ON.
5. Slowly adjust the mic/guitar volume and the echo effect until you've reached the desired levels.
6. Adjust the MASTER VOLUME as needed to blend the music and mic/guitar inputs together.

## Vocal Auto Correct and Pitch Controls

The ROCK PARTY 9 features a vocal auto correct section which will pitch correct your voice while you are singing through the mic so that you'll always be singing in the right key. Below are brief descriptions of what each function does. Please visit [rockvillesupport.com/rock-party-9](http://rockvillesupport.com/rock-party-9) or scan the QR code on the front cover. There you will find how-to videos which provide detailed step by step instructions on how to use the vocal auto correct and pitch controls.

1. **KEY:** Allows you to set the key for your voice. There are twelve different keys to choose from. Refer to page 2, item 8 for a list of the available keys.
2. **SNAP:** Offers three different options that set how your voice will snap to the note.
  - a. **NEAR:** Will set your voice to the nearest note in that key.
  - b. **UP:** Will take the note you are singing in that is off key and round it up to the nearest note above.
  - c. **LOW (LOU):** Will take the note you are singing in that is off key and round it down to the nearest note below.
3. **ACCURACY:** Offers two options to set the quality of the pitch correction.
  - a. **NORMAL (nor):** Allows for a smoother transition to the correct note.
  - b. **BETTER (bEtt):** Allows for a faster transition to the correct note.

The PITCH-/PITCH+ buttons are used to shift the pitch of your voice. PITCH- will bring the pitch of your voice down, while PITCH+ will bring the pitch of your voice up. Each setting has 12 steps so you can make the pitch change very subtle or very pronounced. Please note, VOCAL AUTO CORRECT effects cannot be used at the same time as PITCH-/PITCH+ effect.

## **USB**

The convenient USB slot allows you to connect USB drives up to 128GB. To access this function, follow the steps below. Please note: Accepted formats are MP3, WMA, and WAV.

1. Make sure the speaker is ON.
2. Connect a USB flash drive to the unit via the USB port on the rear panel. The unit will automatically switch to USB mode and music should begin to play.
3. Use the PLAY/PAUSE button to pause and resume playback.
4. Use the PREVIOUS/NEXT buttons for track selection. Press and hold to rewind/fast forward.
5. Use the master VOLUME knob to set the volume level.
6. When you remove the USB drive, the unit will return to the mode it was in prior to entering USB mode.

## **AUX**

The 3.5mm AUX jack allows for input from smartphones, MP3 players, CD players, or any other external signal source with a 3.5mm jack. Please note you will need a 3.5mm-to-3.5mm cable (included).

1. Make sure the speaker is OFF.
2. Set the master VOLUME to the lowest setting.
3. Connect signal source to the 3.5mm AUX input.
4. Turn the speaker ON.
5. Use the master VOLUME knob as well as your device's volume control to set the volume level.

## **Battery Operation and Charging**

To use the internal battery, first ensure that the battery is fully charged (see the charging procedure below). You can also power on the unit and refer to the battery level indicator at the lower right to see how much charge is left.

When the battery is low, the battery level indicator will flash and you will hear an audible prompt. After the third prompt, the unit will automatically shut off. To charge the battery follow these steps:

1. Plug in the power cable to the power input port located at the back of the unit.
2. The battery will begin to charge automatically. A red LED indicator will appear at the top right corner of the display. Additionally, if the unit is on during charging, the battery level indicator on the lower right of the screen will flash.
3. Once the battery is fully charged, the LED indicator will be green and, if the unit is on, the battery level indicator will stop flashing.

Please note: You can use the speaker while it is charging. Charging time is 6 hours. Battery lasts 6 – 8 hours at 25% volume, 5 – 7 hours at mid volume, or 2 – 3 hours at max volume.

## Features and Specifications

- 1000 Watt Peak Power/250w RMS Power
- 3 LED Modes
- Two ¼" mic/guitar inputs with vocal auto correction, voice-changing, and echo controls
- USB Input (accepts USB sticks up to 128 GB)
- 3.5mm Aux Input
- Bluetooth 5.0 with a 45-foot range.
- Rechargeable Li-Ion Battery lasts 6 – 8 hours at 25% volume, 5 – 7 hours at mid volume, or 2 – 3 hours at max volume.
- Lightweight and Portable with the built-in carry handle.
- Smartphone/Tablet Slot
- Main Volume, Bass, and Treble Controls
- Mic Priority Function
- Dual 8" Woofers
- Dual 2" Tweeters
- 100/240V Compatible
- Class D Amplifier
- Frequency Response (-3dB): 50Hz - 20kHz
- Polypropylene Enclosure
- LED Display Screen

## Troubleshooting

PROBLEM	SOLUTION
No power	<ol style="list-style-type: none"><li>1. Check that the power cable is plugged in tightly to the unit and the outlet.</li><li>2. Make sure the battery is fully charged (see page 5 for details).</li></ol>
No sound/ distorted sound	<ol style="list-style-type: none"><li>1. Check that all input cables are plugged in correctly.</li><li>2. Check all volume settings (on the unit and the remote control).</li><li>3. Be sure volume of the input source is set properly.</li><li>4. If using mics, make sure the corresponding volume control is set properly.</li><li>5. Be sure your microphones are turned on.</li><li>6. If volume and EQ settings are maxed out, turn one of them down as you may be overdriving the unit.</li></ol>
Buzzing sound	Make sure you are using a proper cable. For ¼" cables, there are three types: instrument, TS (unbalanced), and TRS (balanced). Check the requirements of the connected gear and the input of the speaker, and make sure you are using the appropriate cable.
Mic feedback	Point the mics away from the speaker. Make sure they are behind the speaker.
Poor mic sound	Make sure the microphones are on, that you are using the appropriate cable, and that the volume settings are turned up.
Bluetooth pairing fails	<ol style="list-style-type: none"><li>1. Check to see that both devices are turned on and that your Bluetooth device is discoverable.</li><li>2. Turn both devices off and then on.</li><li>3. Make sure you've selected the proper source.</li><li>4. Make sure that the Bluetooth device is within 5 feet of the unit.</li><li>5. Move both devices away from other Bluetooth devices, microwaves, wireless routers, and other electronics.</li><li>6. Make sure that the unit is not paired to a previously paired device or to another speaker.</li></ol> <p><b>Please refer to page 4 for Bluetooth pairing procedures.</b></p>
No USB play-back	<ol style="list-style-type: none"><li>1. Make sure you've selected the proper source.</li><li>2. Make sure that the audio files are in the specified format.</li><li>3. Make sure the drive is not larger than the acceptable capacity rating (see page 5 for details).</li></ol>

# FEDERAL COMMUNICATIONS COMMISSION COMPLIANCE INFORMATION

Responsible party name: Rockville

Address: 600 Bayview Ave.  
Entrance A  
Inwood, NY 11096

Hereby declares that the product Rock Party 9 complies with FCC rules as mentioned in the following paragraph:

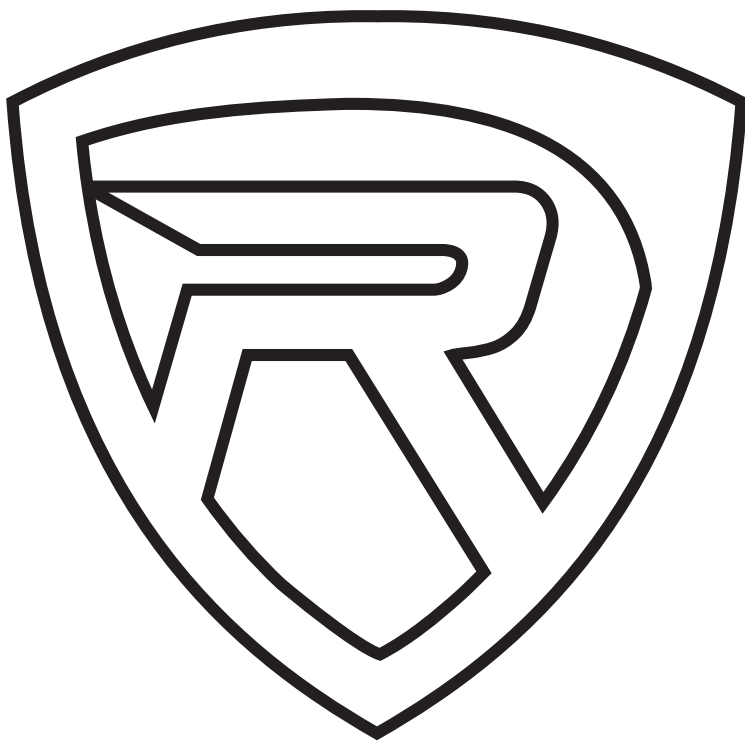
This device complies with Part 15 of the FCC rules. Operation is subject to the following two conditions: (1) this device may not cause harmful interference, and (2) this device must accept any interference received, including interference that may cause undesired operation.

Note: This equipment has been tested and found to comply with the limits for a Class B digital device, pursuant to Part 15 of the FCC rules. These limits are designed to provide reasonable protection against harmful interference in a residential installation. This equipment generates, uses and can radiate radio frequency energy and, if not installed and used in accordance with the instructions, may cause harmful interference to radio communications. However, there is no guarantee that interference will not occur in a particular installation. If this equipment does cause harmful interference to radio or television reception, which can be determined by turning the equipment off and on, the user is encouraged to try to correct the interference by one or more of the following measures:

- Reorient or relocate the receiving antenna.
- Increase the separation between the equipment and receiver.
- Connect the equipment to an outlet on a circuit different from that to which the receiver is connected.
- Consult the dealer or an experienced radio/TV technician for help.

ROCKWELL

***ROCKVILLE***



**RockvilleAudio.com**