

# ROCKVILLE

## SBG Series

PASSIVE 4-OHM PRO DJ SUBWOOFER  
SBG1124/SBG1154/SBG1184

### OWNER'S MANUAL

**ATTENTION:  
WATCH THIS VIDEO BEFORE FIRST USE!**

#### *Who reads manuals?*

Scan the **QR code** or go to the **URLs** to access how-to video(s), the owner's manual, and other important information you may need to get the most out of your item.

**If you prefer written instructions, please read ahead!**

*With Rockville you get many options.*



[rockvillesupport.com/sbg1124](http://rockvillesupport.com/sbg1124)



[rockvillesupport.com/sbg1154](http://rockvillesupport.com/sbg1154)



[rockvillesupport.com/sbg1184](http://rockvillesupport.com/sbg1184)

**Missing items?** If you ordered a bundle that includes more than one product and you are missing part of your bundle then it just means your order shipped from two different warehouses. You will receive the remaining items very soon. If you have any concerns or inquiries, feel free to call our customer support center at 1-646-758-0144, 24 hours a day/7 days a week.

ROCKWELL

Thank you for purchasing this Rockville SBG Series pro audio subwoofer. Please read this owner's manual carefully for proper use of your Rockville SBG Series pro audio subwoofer. Should you need assistance, please call our technical help line at 1-646-758-0144, 24 hours a day/7 days a week.

---

## IMPORTANT SAFETY INSTRUCTIONS



- **To reduce risk of electric shock, never open the unit. There are no user serviceable parts, refer service to the Rockville service center.**
  - **Do not expose this unit to any kind of moisture.**
  - **Unit should be situated away from heat sources.**
  - **Do not obstruct vents or exhaust fan.**
  - **Please ensure that the unit is situated in a properly ventilated area.**
  - **These speakers are intended for stationary use on flat, solid, level surfaces. When using with speaker stands, it is the responsibility of the user to be certain the stand is capable of supporting the weight of the speaker. Additionally, these are not intended for flying installations. They should not be retrofitted with flying hardware for support above stages. This unit should not be mounted to a wall or ceiling.**
- 

## OPERATION

Before powering up your equipment, make sure the volume level on the amplifier is turned to zero. This will help avoid any “popping” sound which could cause damage to your speaker.

## PLACEMENT & TIME ALIGNMENT

Because this SBG Series pro audio subwoofer transmits omni directional low frequencies, it is not necessary for there to be a direct line-of-site between the sub and the audience. The best location for the subwoofer is on the floor. Leaving the subwoofer on the floor will incorporate the floor as a plane into the radiation pattern of the unit. This will result in an apparent increase in low frequency energy.

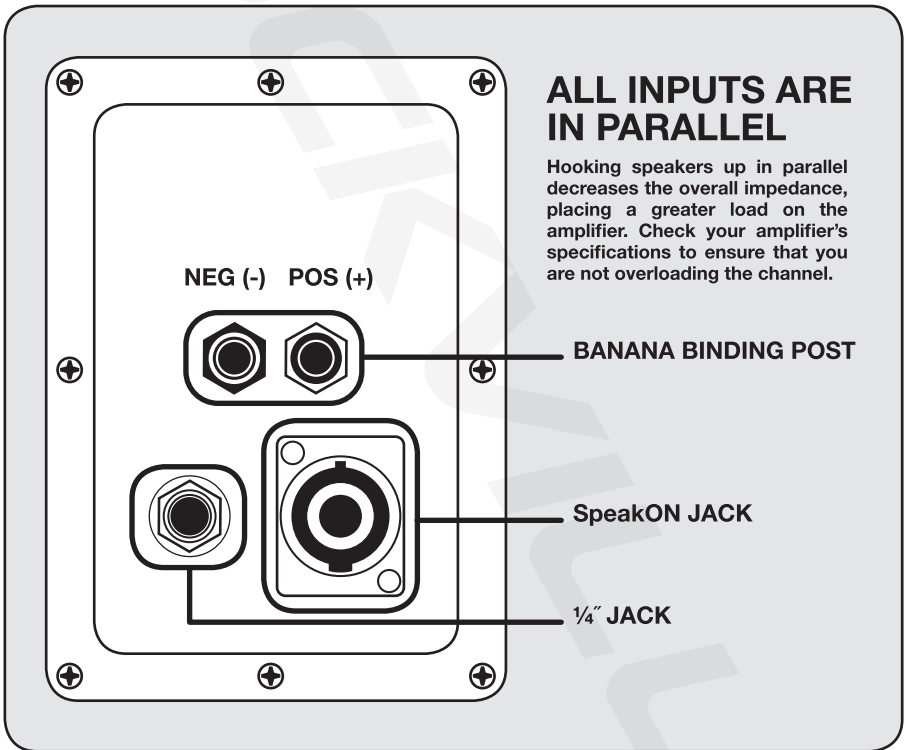
When using the SBG Series pro audio subwoofer with other speakers, all speakers should be time-aligned for phase coherence. Time-alignment is physically achieved when the acoustic centers of the speakers are equidistant from the listener. If the speakers are close together then it shouldn't be an issue. However, if the speakers are far apart, the sound from one speaker may reach the ear a fraction of a second before the other. This results in phase errors, which are most apparent at frequencies near the crossover point(s). If you are unable to physically arrange the speakers for proper alignment, then you should do so digitally. Most digital speaker processors feature separate delays for each output which will allow you to fine tune the phase alignment.

Though not necessary, for maximum amplifier efficiency and increased routing control you may choose to use an active crossover.

## CONNECTIONS

Connection and installation of these speakers is fairly straight forward. Each model includes one SpeakON jack, one 1/4" jack and a pair of binding post connections. Binding posts are positioned with standard spacing, so conventional speaker cables with paired banana plugs may be used. Additionally, each binding post has a feed hole which will accept up to 12AWG wire. For pro sound applications, it is recommended that at least 16AWG wire be used for short lengths. Longer lengths require 14AWG or 12AWG cable. Do not use shielded instrument cables.

Binding post, 1/4", and SpeakON jacks are internally connected in parallel, and either may be used. Naturally, you would never connect a single speaker to more than one amplifier, however these two connections (1/4" and SpeakON) may be utilized simultaneously to connect more than one speaker to a single line (daisy chain). Note that most amplifiers are only capable of loads above 4Ω so only two speakers can be connected to a single output.

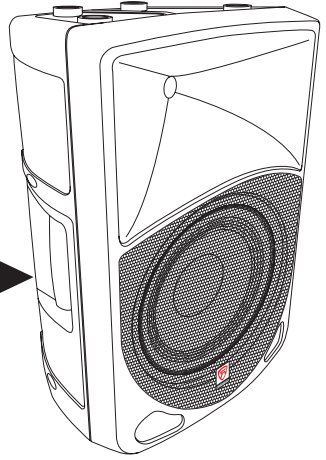
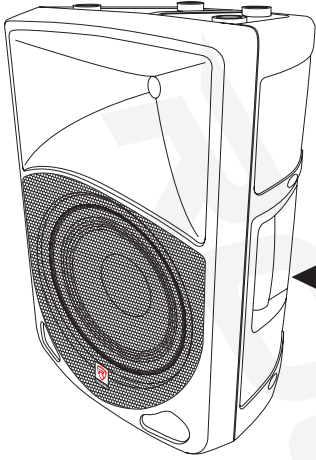


**DO NOT USE MORE THAN ONE JACK AS AN AMPLIFIER INPUT. DOING SO WILL RESULT IN DAMAGE TO YOUR SYSTEM.**

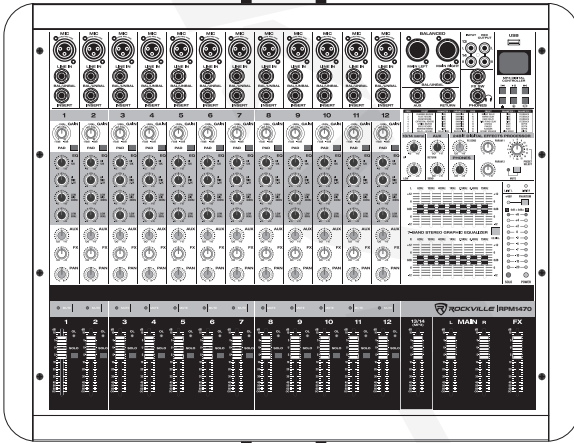
# COMMON SET-UP

POWER GIG RPG12

POWER GIG RPG12



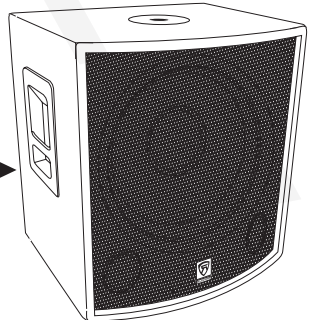
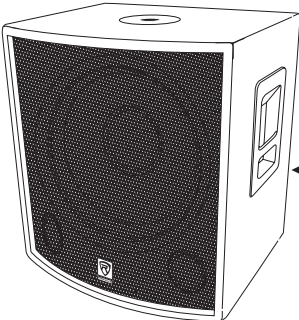
Line out from  
powered mixer to  
active speakers



RPM1470 Powered Mixer

SBG1124

SBG1124

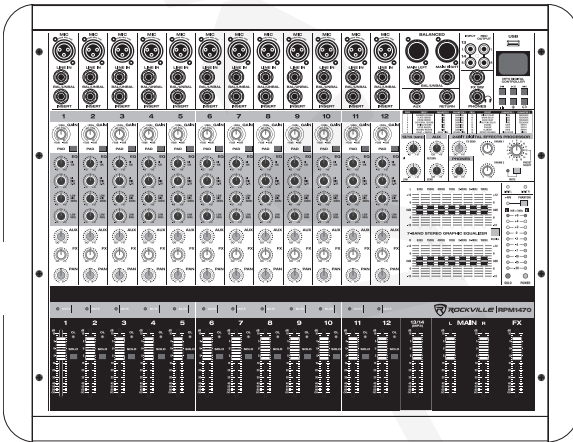
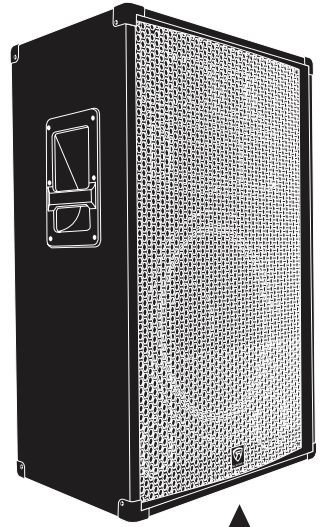
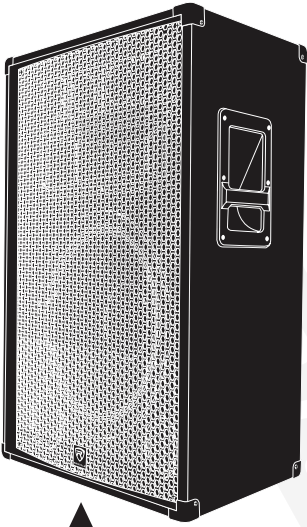


Signal output from  
powered mixer to  
subwoofers

# PARALLEL SETUP

RSG12 or SPG12

RSG12 or SPG12



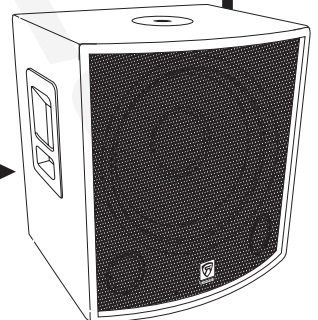
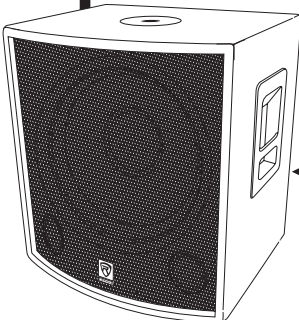
Signal output from subwoofer to passive speaker

Signal output from subwoofer to passive speaker

RPM1470 Powered Mixer

SBG1124

SBG1124

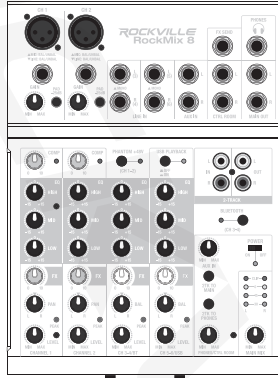
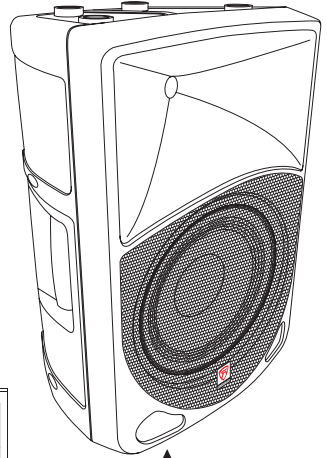
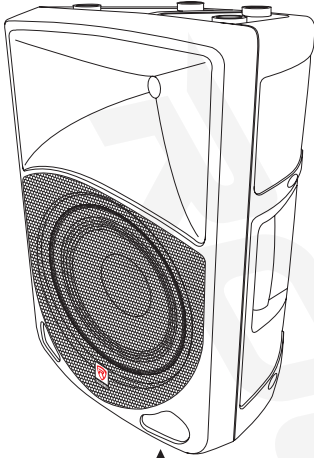


Signal output from powered mixer to subwoofers

# PASSIVE MIXER TO POWER AMP SETUP

POWER GIG RPG12

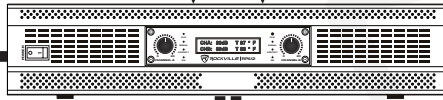
POWER GIG RPG12



Signal from RPA12's link output to active speaker

Signal from RPA12's link output to active speaker

Signal output from passive mixer to power amp

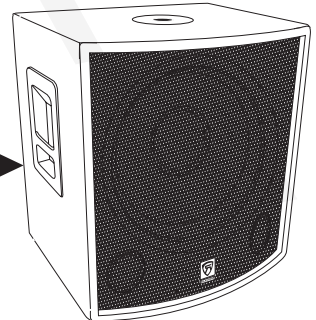
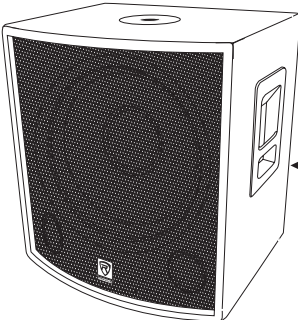


## RPA12 Pro Amplifier

*We recommend you use the RPA14 or the RPA16 Pro Amplifier with the 15 and 18 inch SBG models.*

SBG1124

SBG1124

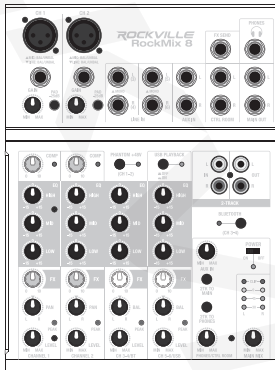
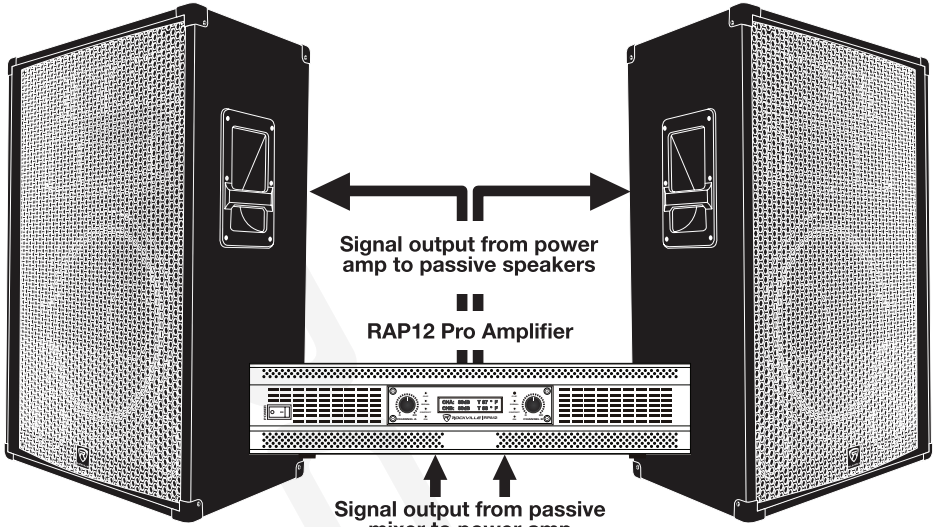


Signal output from power amp to subwoofers

# DUAL AMP SETUP

RSG12 or SPG12

RSG12 or SPG12

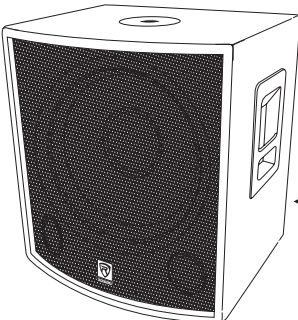


Signal output from passive mixer to power amp



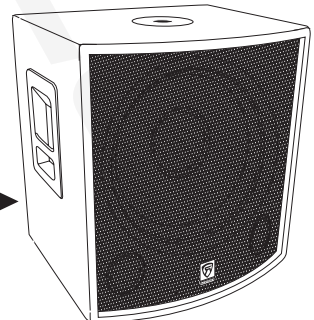
SBG1124

SBG1124



**RAP12 Pro Amplifier**  
*We recommend you use the RPA14 or the RPA16 Pro Amplifier with the 15 and 18 inch SBG models.*

Signal output from power amp to subwoofers



## FEATURES

### SBG1124, SBG1154, and SBG1184

- Construction: High-Density, High-Quality Non Resonant Particleboard, Stapled, Bonded & Braced
- Ported Enclosure for Improved Bass Response
- Binding Post / Banana Plug Terminals (Negative/Positive)
- ¼" Jack (In/Out)
- SpeakON (In/Out)
- Ergonomic Recessed Handles
- Moded Steel Grill
- Aviation Grade Black Carpet
- Pole Mount
- Rubber Isolating Feet

## SPECIFICATIONS

### SBG1124

- Carpeted Passive Subwoofer
  - 12" Pro Audio Woofer
  - RMS Power: 300 Watts
  - Program Power: 400 Watts
  - Peak Power: 600 Watts
  - 2" High Temperature Aluminum Voice Coil
  - 4-Ohm Impedance
  - Sensitivity: 92dB @ 1w/1m
  - Frequency Response: 40Hz – 700Hz
  - Neg/Pos Binding Posts
  - ¼" Input/Output
  - SpeakON Input/Output
  - 60 oz Magnet Woofer
  - Dimensions: 15.6 x 14.6 x 18.4in (width x depth x height)
  - Weight: 44Lbs
- Internally Connected in Parallel

### SBG1154

- Carpeted Passive Subwoofer
- 15" Pro Audio Woofer
- RMS Power: 400 Watts
- Program Power: 600 Watts
- Peak Power: 800 Watts
- 2" High Temperature Aluminum Voice Coil

## **SPECIFICATIONS (continued)**

- 4-Ohm Impedance
  - Sensitivity: 94dB @ 1w/1m
  - Frequency Response: 25Hz – 800Hz
  - Neg/Pos Binding Posts
  - ¼" Input/Output
  - SpeakON Input/Output
- Internally Connected in Parallel
- 70 oz Magnet Woofer
  - Dimensions: 18" x 17" x 20" (width x depth x height)
  - Weight: 44Lbs

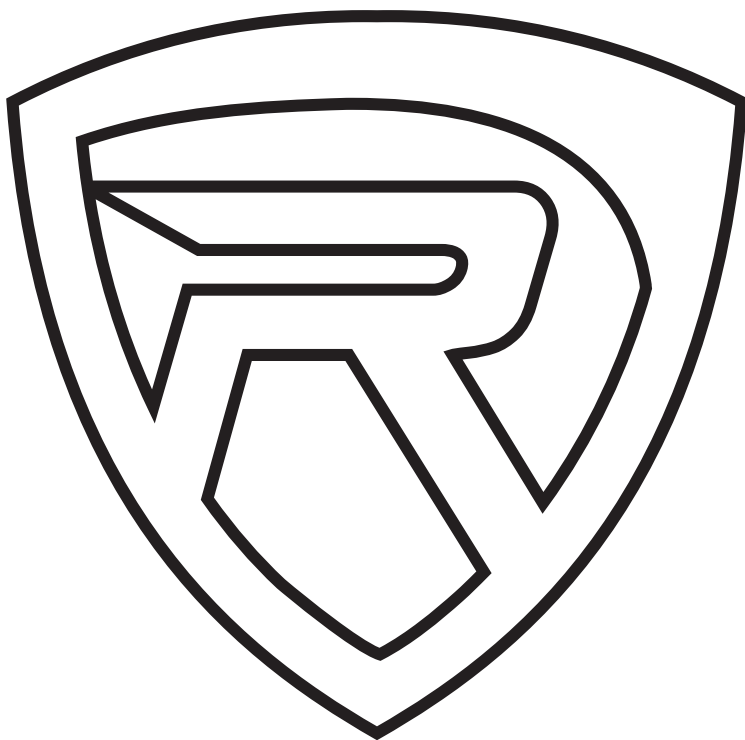
## **SBG1184**

- Carpeted Passive Subwoofer
  - 18" Pro Audio Woofer
  - RMS Power: 500 Watts
  - Program Power: 750 Watts
  - Peak Power: 1000 Watts
  - 3" High Temperature Aluminum Voice Coil
  - 4-Ohm Impedance
  - Sensitivity: 96dB @ 1w/1m
  - Frequency Response: 25Hz – 800Hz
  - Neg/Pos Binding Posts
  - ¼" Input/Output
  - SpeakON Input/Output
- Internally Connected in Parallel
- 90 oz Magnet Woofer
  - Dimensions: 13.2" x 18" x 26" (width x depth x height)
  - Weight: 53Lbs

## TROUBLESHOOTING

PROBLEM	SOLUTION
No Sound	<ol style="list-style-type: none"><li>1. Check all connections.</li><li>2. Check speaker cable.</li><li>3. Check amplifier levels.</li><li>4. Confirm that your amplifier is getting a signal.</li></ol>
Intermittent Output	<ol style="list-style-type: none"><li>1. Check all connections.</li><li>2. Check speaker cable.</li></ol>
Low Bass	<ol style="list-style-type: none"><li>1. Check speaker connections, polarity maybe reversed.</li><li>2. Connect amplifier to different speaker or use headphones to confirm that the amplifier is receiving a proper signal.</li></ol>
Distortion	<ol style="list-style-type: none"><li>1. Check the amplifier for “clipping”. If this is the case, turn down the Gain level on the amplifier and/or mixer.</li><li>2. Make sure you are not exceeding your speakers RMS rating.</li></ol>

***ROCKVILLE***



**RockvilleAudio.com**

© 2023 ROCKVILLE // Features and specifications are subject to change and/or improvement without notice.